

DATA SHEET

SKY13347-360LF: 0.5 – 3.0 GHz SPST Switch, 50 Ω Terminated

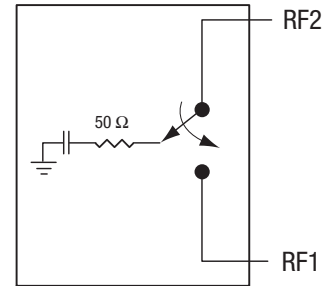
Applications

- Wireless infrastructure systems

Features

- 50 Ω terminated RF output
- Low insertion loss: 0.7 dB @ 2.0 GHz
- High isolation: 35 dB @ 2.0 GHz
- Small, DFN (8-pin, 2 x 2 mm) package (MSL1, 260 °C per JEDEC J-STD-020)

NEW Skyworks Green™ products are RoHS (Restriction of Hazardous Substances)-compliant, conform to the EIA/EICTA/JEITA Joint Industry Guide (JIG) Level A guidelines, are halogen free according to IEC-61249-2-21, and contain <1,000 ppm antimony trioxide in polymeric materials.



S2178

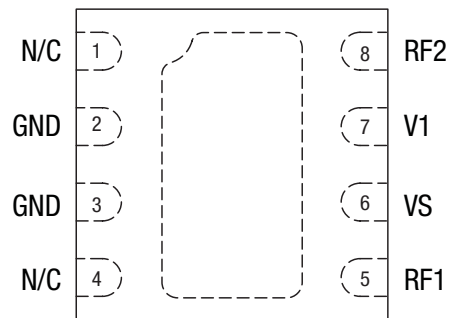
Figure 1. SKY13347-360LF Block Diagram

Description

The SKY13347-360LF is a pHEMT GaAs Single-Pole, Single-Throw (SPST) switch with a 50 Ω terminated output. The high linearity performance, low insertion loss, and high isolation achieved by the SKY13347-360LF make it an ideal choice for many cellular and wireless infrastructure applications.

The switch is manufactured in a compact, 2 x 2 mm, 8-pin Dual Flat No-Lead (DFN) package.

A functional block diagram is shown in Figure 1. The pin configuration and package are shown in Figure 2. Signal pin assignments and functional pin descriptions are provided in Table 1.



S2179

Figure 2. SKY13347-360LF Pinout – 6-Pin MLPD (Top View)

Table 1. SKY13347-360LF Signal Descriptions

Pin #	Name	Description	Pin #	Name	Description
1	N/C	No connection. May be connected to ground with no change in performance.	5	RF1	RF port 1. Must be DC blocked.
2	GND	Ground	6	VS	DC bias voltage. Refer to Table 4.
3	GND	Ground	7	V1	DC control voltage. Refer to Table 4.
4	N/C	No connection. May be connected to ground with no change in performance.	8	RF2	RF port 2. Must be DC blocked.

Table 2. SKY13347-360LF Absolute Maximum Ratings

Parameter	Symbol	Minimum	Maximum	Units
DC supply voltage	V _S		6	V
Control voltage	V ₁		V _S	V
Input power	P _{IN}		+32	dBm
Storage temperature	T _{STG}	-40	+125	°C
Operating temperature	T _{OP}	-40	+85	°C

Note: Exposure to maximum rating conditions for extended periods may reduce device reliability. There is no damage to device with only one parameter set at the limit and all other parameters set at or below their nominal value. Exceeding any of the limits listed here may result in permanent damage to the device.

CAUTION: Although this device is designed to be as robust as possible, Electrostatic Discharge (ESD) can damage this device. This device must be protected at all times from ESD. Static charges may easily produce potentials of several kilovolts on the human body or equipment, which can discharge without detection. Industry-standard ESD precautions should be used at all times.

Functional Description

Switching is controlled by a single control voltage on the V1 pin. Depending on the logic applied to the control pin, the RF1 and RF2 signals (pins 5 and 8, respectively) are connected to each other either by a low insertion loss path or a high isolation path.

Both RF ports of the switch require DC blocking capacitors. The value of either blocking capacitor determines the low frequency of operation.

Electrical and Mechanical Specifications

The absolute maximum ratings of the SKY13347-360LF are provided in Table 2. Electrical specifications are provided in Table 3.

Typical performance characteristics of the SKY13347-360LF are illustrated in Figures 3 through 7.

The state of the SKY13347-360LF is determined by the logic provided in Table 4.

Table 3. SKY13347-360LF Electrical Specifications (Note 1)

(V1 = 0 V and +3.0 V, T_{OP} = +25 °C, P_{IN} = 0 dBm, Characteristic Impedance [Z₀] = 50 Ω, C_{BLK} = 47 pF, Unless Otherwise Noted)

Parameter	Symbol	Test Condition	Min	Typical	Max	Units
Insertion loss	IL	RF1 to RF2				
		0.5 GHz		0.60	0.70	dB
		1.0 GHz		0.65	0.75	dB
		1.5 GHz		0.70	0.80	dB
		2.0 GHz		0.70	0.80	dB
		2.5 GHz		0.75	0.85	dB
3.0 GHz		0.80	0.90	dB		
Isolation	Iso	RF1 to RF2				
		0.5 GHz	40	45	dB	
		1.0 GHz	30	35	dB	
		1.5 GHz	30	35	dB	
		2.0 GHz	30	35	dB	
		2.5 GHz	25	30	dB	
3.0 GHz	25	30	dB			
Return loss	RL	0.5 GHz to 3.0 GHz, RF1 and RF2 in insertion loss state		20		dB
		0.5 GHz to 3.0 GHz, RF2 in isolation state		15		dB
1 dB Input Compression Point	IP1dB	0.5 to 3.0 GHz		+31		dBm
3 rd Order Input Intercept Point	IIP3	0.5 to 3.0 GHz, P _{IN} = +5 dBm/tone, 1 MHz spacing		+40		dBm
Switching speed		10% to 90% RF		70		ns
		90% to 10% RF		10		ns
		50% V1 to 90% RF		85		ns
		50% V1 to 10% RF		10		ns

Note 1: Performance is guaranteed only under the conditions listed in this Table.

Typical Performance Characteristics

(V1 = 0 V and +3.0 V, T_{OP} = +25 °C, P_{IN} = 0 dBm, Characteristic Impedance [Z₀] = 50 Ω, C_{BLK} = 47 pF, Unless Otherwise Noted)

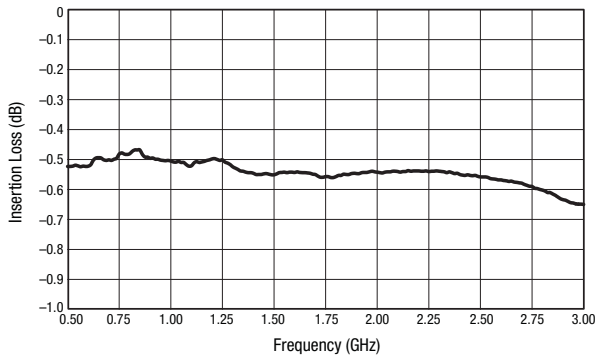


Figure 3. RF1 to RF2 Insertion Loss vs Frequency

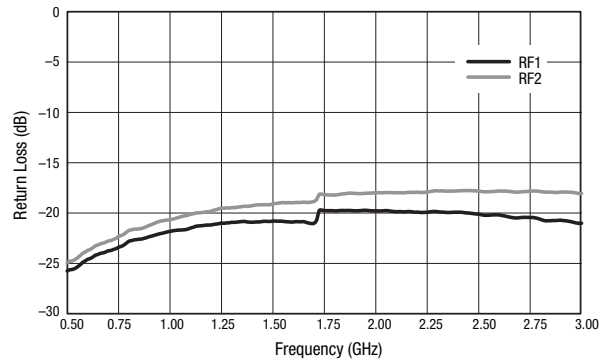


Figure 4. Return Loss (Insertion Loss State) vs Frequency

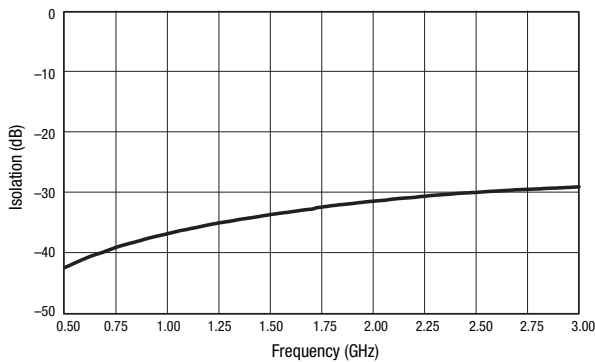


Figure 5. Isolation vs Frequency

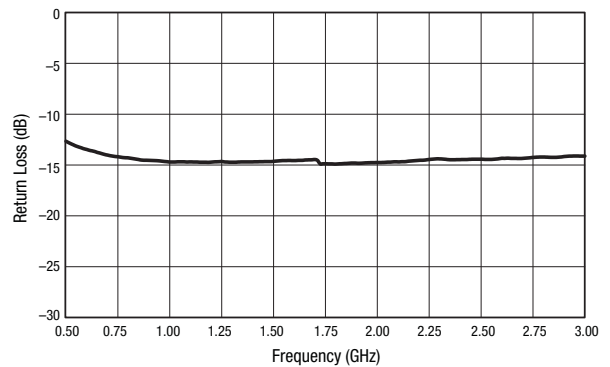


Figure 6. RF2 Return Loss (Isolation State) vs Frequency

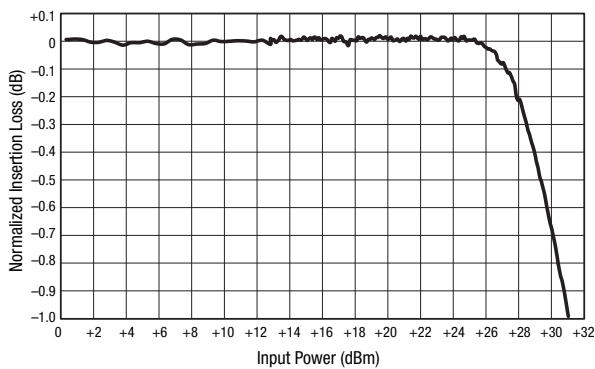


Figure 7. Normalized Insertion Loss vs Input Power

Table 4. SKY13347-360LF Truth Table

VS (Pin 6)	V1 (Pin 7)	RF State
1	0	Isolation
1	VS	Insertion loss

Note: "1" = +1.8 V to +5.0 V. "0" = 0 V to +0.2 V. Any state not described in this Table places the switch into an undefined state. An undefined state will not damage the device.

Evaluation Board Description

The SKY13347-360LF Evaluation Board is used to test the performance of the SKY13347-360LF SPDT Switch. An Evaluation Board schematic diagram is provided in Figure 8. An assembly drawing for the Evaluation Board is shown in Figure 9.

Package Dimensions

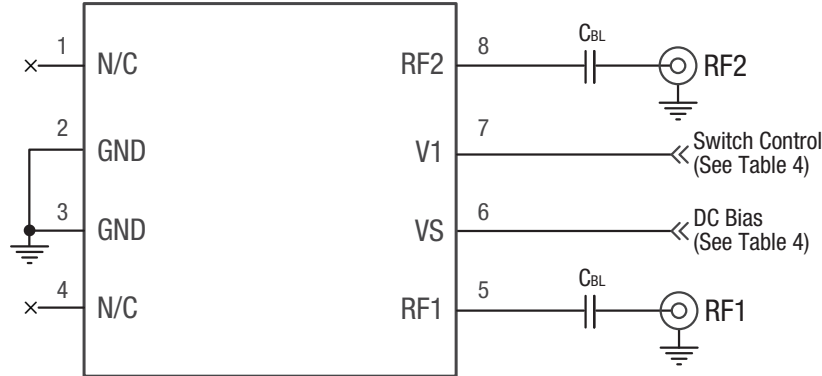
The PCB layout footprint for the SKY13347-360LF is provided in Figure 10. Typical case markings are shown in Figure 11. Package dimensions for the 6-pin MLPD are shown in Figure 12, and tape and reel dimensions are provided in Figure 13.

Package and Handling Information

Instructions on the shipping container label regarding exposure to moisture after the container seal is broken must be followed. Otherwise, problems related to moisture absorption may occur when the part is subjected to high temperature during solder assembly.

The SKY13347-360LF is rated to Moisture Sensitivity Level 1 (MSL1) at 260 °C. It can be used for lead or lead-free soldering. For additional information, refer to the Skyworks Application Note, *Solder Reflow Information*, document number 200164.

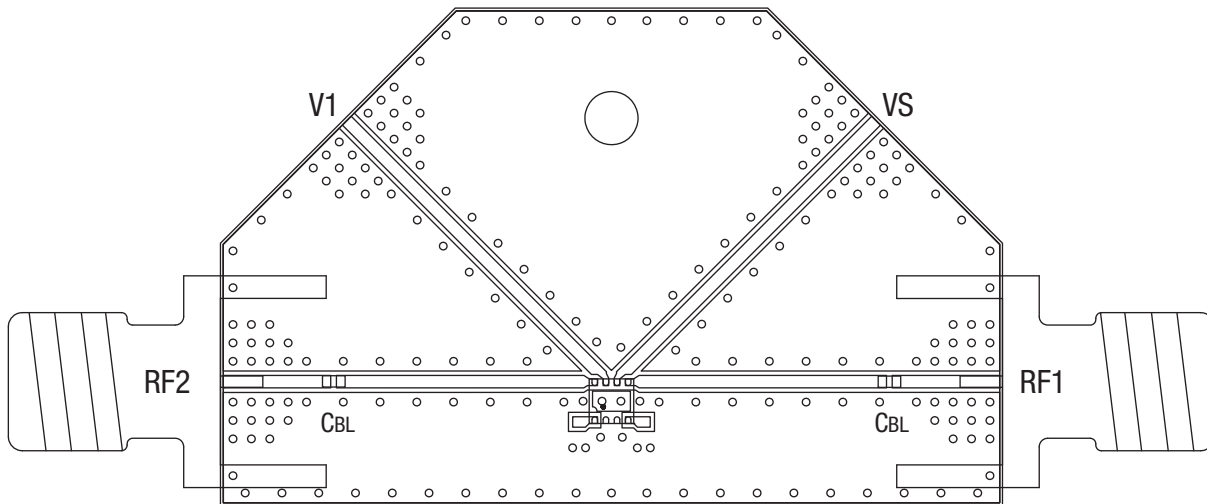
Care must be taken when attaching this product, whether it is done manually or in a production solder reflow environment. Production quantities of this product are shipped in a standard tape and reel format.



Note: C_{BL} = 47 pF for >500 MHz operation; 220 pF for operation down to 50 MHz. Higher values recommended for lower frequency operation. Exposed paddle must be grounded.

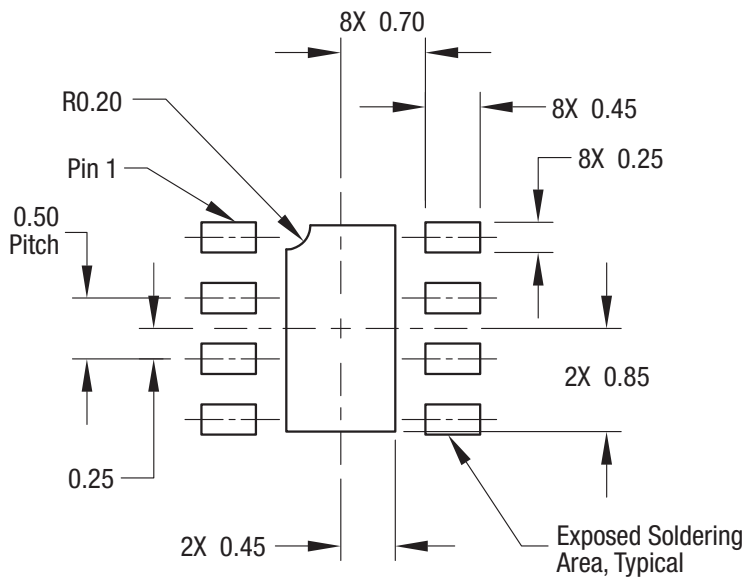
S2180

Figure 8. SKY13347-360LF Evaluation Board Schematic



S2181

Figure 9. SKY13347-360LF Evaluation Board Assembly Diagram



S1477

Figure 10. SKY13347-360LF PCB Layout Footprint (Top View)

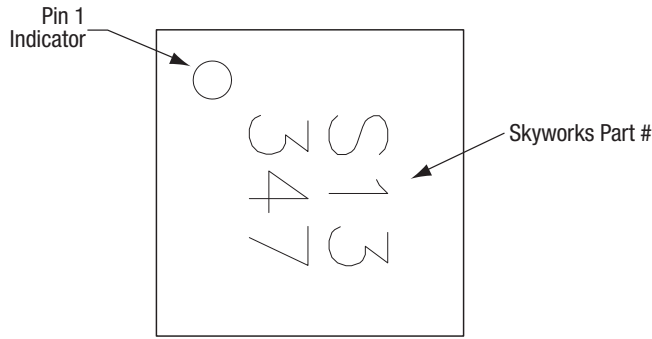
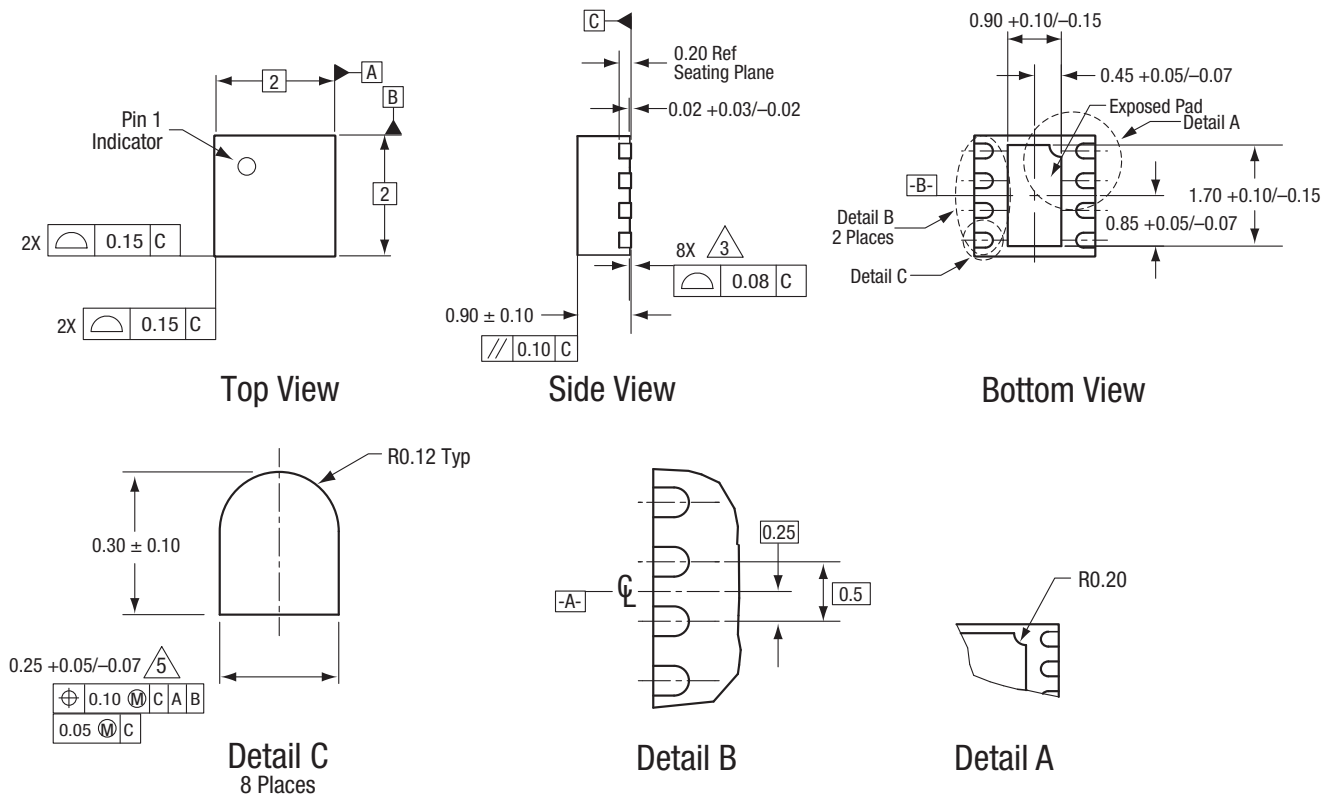


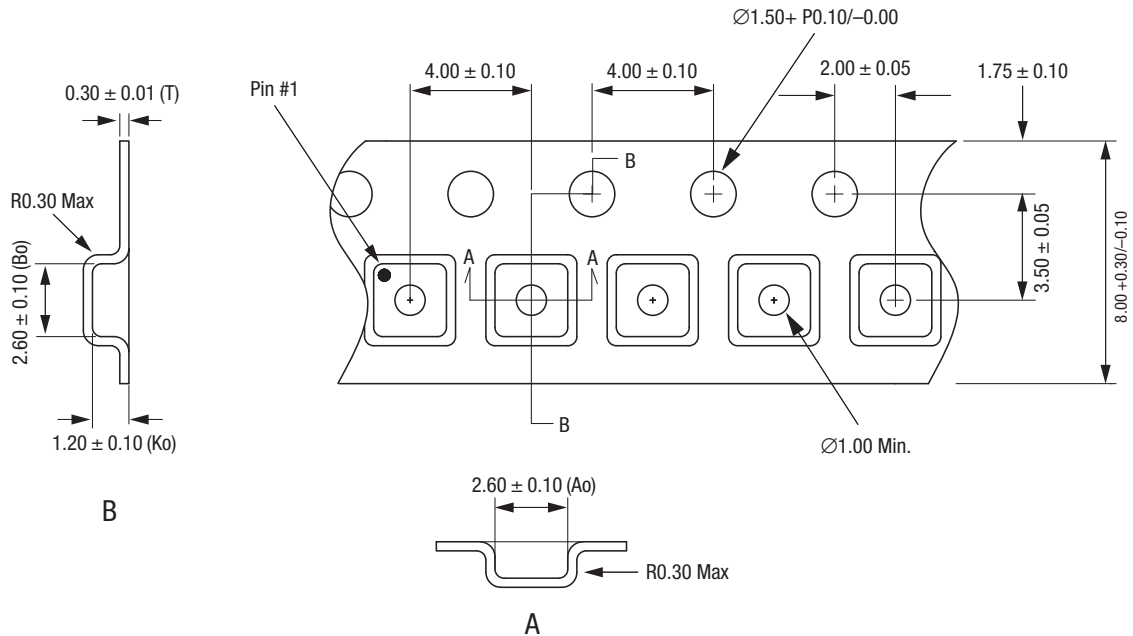
Figure 11. Typical Part Markings (Top View)



All measurements are in millimeters.
 Dimensioning and tolerancing according to ASME Y14.5M-1994.
 Coplanarity applies to the exposed heat sink slug as well as the terminals.
 Plating requirement per source control drawing (SCD) 2504.
 Dimension applies to metalized terminal and is measured between 0.15 mm and 0.30 mm from terminal tip.

S1415

Figure 12. SKY13347-360LF 8-Pin DFN Package Dimensions



- Notes:
1. Carrier tape: black conductive polystyrene.
 2. Cover tape material: transparent conductive HSA.
 3. Cover tape size: 5.40 mm width.
 4. All measurements are in millimeters.

S1480

Figure 13. SKY13347-360LF Tape and Reel Dimensions

Ordering Information

Model Name	Manufacturing Part Number	Evaluation Kit Part Number
SKY13347-360LF SPST Switch	SKY13347-360LF	SKY13347-360LF-EVB

Copyright © 2010 Skyworks Solutions, Inc. All Rights Reserved.

Information in this document is provided in connection with Skyworks Solutions, Inc. (“Skyworks”) products or services. These materials, including the information contained herein, are provided by Skyworks as a service to its customers and may be used for informational purposes only by the customer. Skyworks assumes no responsibility for errors or omissions in these materials or the information contained herein. Skyworks may change its documentation, products, services, specifications or product descriptions at any time, without notice. Skyworks makes no commitment to update the materials or information and shall have no responsibility whatsoever for conflicts, incompatibilities, or other difficulties arising from any future changes.

No license, whether express, implied, by estoppel or otherwise, is granted to any intellectual property rights by this document. Skyworks assumes no liability for any materials, products or information provided hereunder, including the sale, distribution, reproduction or use of Skyworks products, information or materials, except as may be provided in Skyworks Terms and Conditions of Sale.

THE MATERIALS, PRODUCTS AND INFORMATION ARE PROVIDED “AS IS” WITHOUT WARRANTY OF ANY KIND, WHETHER EXPRESS, IMPLIED, STATUTORY, OR OTHERWISE, INCLUDING FITNESS FOR A PARTICULAR PURPOSE OR USE, MERCHANTABILITY, PERFORMANCE, QUALITY OR NON-INFRINGEMENT OF ANY INTELLECTUAL PROPERTY RIGHT; ALL SUCH WARRANTIES ARE HEREBY EXPRESSLY DISCLAIMED. SKYWORKS DOES NOT WARRANT THE ACCURACY OR COMPLETENESS OF THE INFORMATION, TEXT, GRAPHICS OR OTHER ITEMS CONTAINED WITHIN THESE MATERIALS. SKYWORKS SHALL NOT BE LIABLE FOR ANY DAMAGES, INCLUDING BUT NOT LIMITED TO ANY SPECIAL, INDIRECT, INCIDENTAL, STATUTORY, OR CONSEQUENTIAL DAMAGES, INCLUDING WITHOUT LIMITATION, LOST REVENUES OR LOST PROFITS THAT MAY RESULT FROM THE USE OF THE MATERIALS OR INFORMATION, WHETHER OR NOT THE RECIPIENT OF MATERIALS HAS BEEN ADVISED OF THE POSSIBILITY OF SUCH DAMAGE.

Skyworks products are not intended for use in medical, lifesaving or life-sustaining applications, or other equipment in which the failure of the Skyworks products could lead to personal injury, death, physical or environmental damage. Skyworks customers using or selling Skyworks products for use in such applications do so at their own risk and agree to fully indemnify Skyworks for any damages resulting from such improper use or sale.

Customers are responsible for their products and applications using Skyworks products, which may deviate from published specifications as a result of design defects, errors, or operation of products outside of published parameters or design specifications. Customers should include design and operating safeguards to minimize these and other risks. Skyworks assumes no liability for applications assistance, customer product design, or damage to any equipment resulting from the use of Skyworks products outside of stated published specifications or parameters.

Skyworks, the Skyworks symbol, and “Breakthrough Simplicity” are trademarks or registered trademarks of Skyworks Solutions, Inc., in the United States and other countries. Third-party brands and names are for identification purposes only, and are the property of their respective owners. Additional information, including relevant terms and conditions, posted at www.skyworksinc.com, are incorporated by reference.