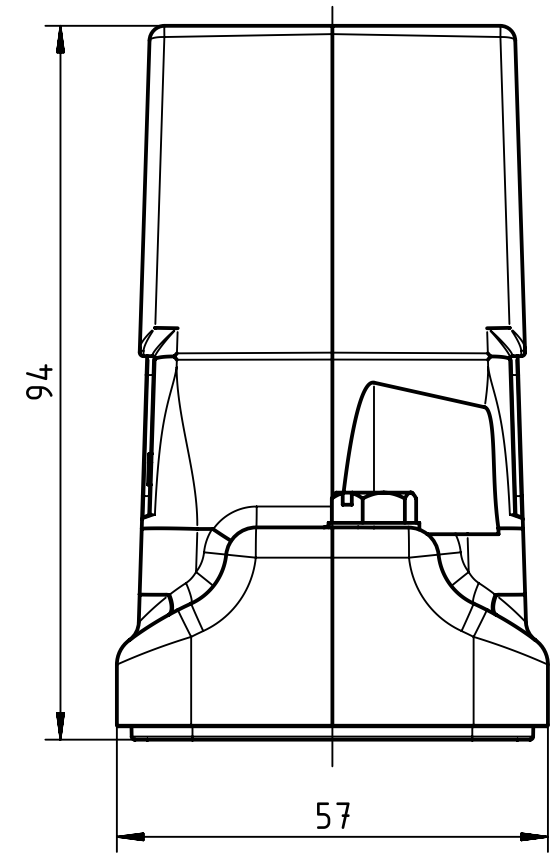
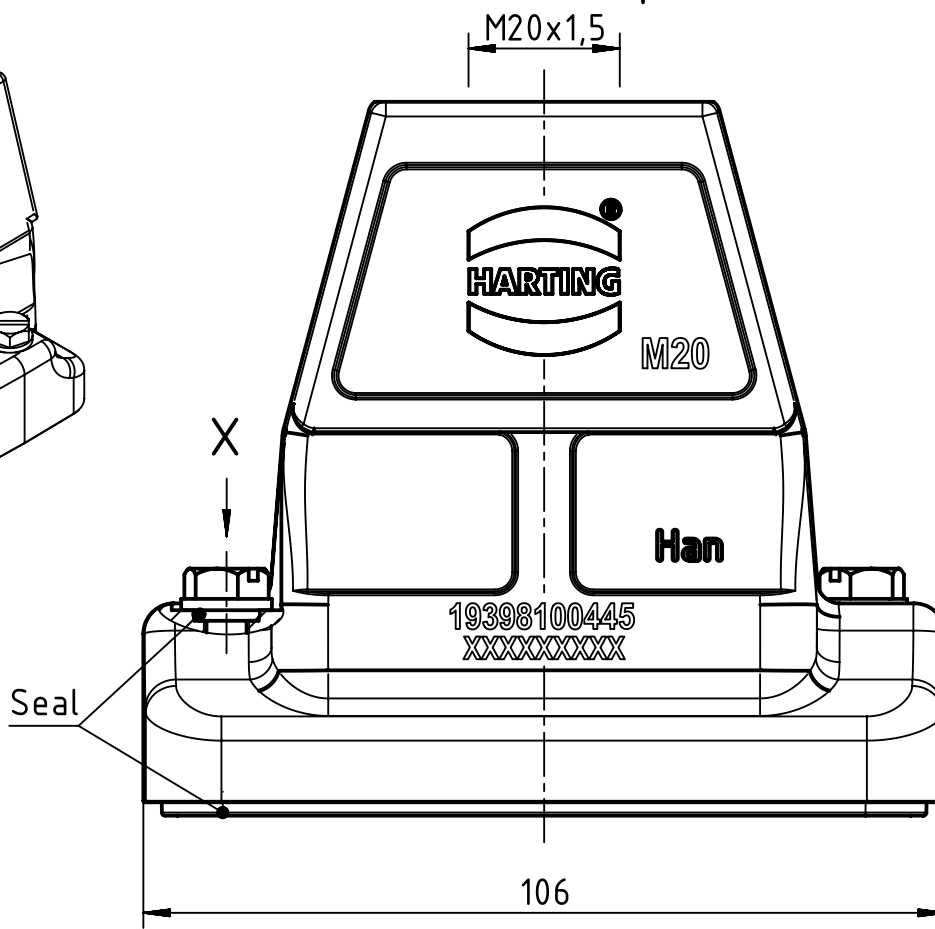
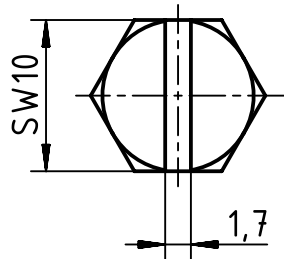
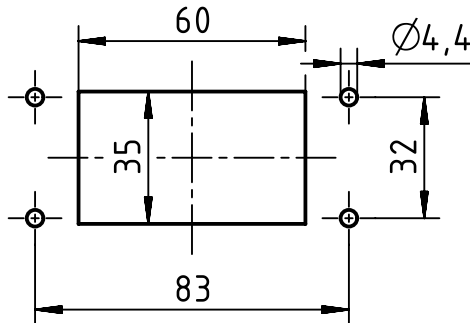


X (2:1)



Panel cut out (1:2)



	All Dimensions in mm Original Size DIN A4		Scale 1:1		Free size tol.		Ref.			
	All rights reserved Department EL PD - CN		Created by LONGL		Inspected by WENE		Standardisation SCHMIDTM			
HARTING (Zhuhai) Manufacturing Co., Ltd. 519085 Zhuhai, China			Title Han 10HP Direct/EMV-HTE-M20				Date 2017-03-20		State Final Release	
			Type TB		Number 19 39 810 0445			Doc-Key / ECM-Nr. 100665106/UGD/002/C 500000116965		
						Rev. C		Page 1/1		