

THE INFORMATION CONTAINED HEREIN IS CONSIDERED 'PROPRIETARY' TO BEL FUSE INC. AND SHALL NOT BE COPIED, REPRODUCED OR DISCLOSED WITHOUT THE WRITTEN APPROVAL OF BEL FUSE INC.

RoHS
2002/95/EC



ELECTRICAL CHARACTERISTICS @25°C

URNS RATIO

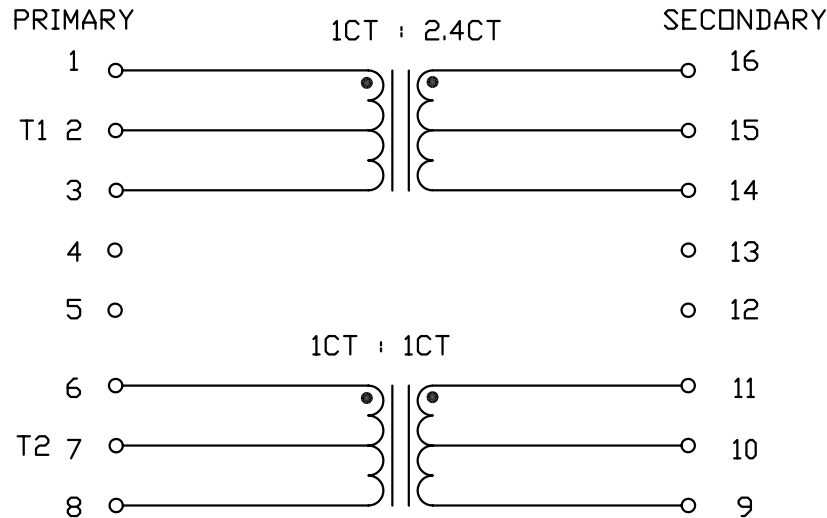
T1 (1 - 2 - 3) : (16 - 15 - 14)
T2 (6 - 7 - 8) : (11 - 10 - 9)

1CT : 2.4CT
1CT : 1CT

POLARITY

PER DOT CONVENTION

SCHEMATIC



INDUCTANCE

T1 (1 - 3)
AT -40°C
T2 (11 - 9)
AT -40°C

1.0mH MIN. @10kHz, 20mV
440µH MIN.
1.8mH MIN. @10kHz, 20mV
850µH MIN.

LEAKAGE INDUCTANCE (L_e)

T1 PRIMARY (SECONDARY SHORTED)
T2 PRIMARY (SECONDARY SHORTED)

@1MHz, 20mV
0.30µH MAX.
0.50µH MAX.

INTERWINDING CAPACITANCE (C_{w/w})

T1 PRIMARY TO SECONDARY
T2 PRIMARY TO SECONDARY

@1MHz, 20mV
35pF MAX.
35pF MAX.

DC RESISTANCE

T1 PRIMARY
T1 SECONDARY
T2 PRIMARY & SECONDARY

0.60Ω MAX.
1.40Ω MAX.
0.70Ω MAX.

HIPOT

PER HAND-WORK-03.

ORIGINATED BY	DATE	TITLE	PART NO. / DRAWING NO.	STANDARD DIM.	[] METRIC DIM. AS REFERENCE
CH CHAN	10-08-10	ELECTRICAL SPECIFICATION	X5536500A6-F	TOL. IN INCH	UNIT : INCH [mm]
DRAWN BY	DATE		FILE NAME	.X	SCALE : N/A
HY ZHANG	10-08-10	S553-6500-A6-F	X5536500A6FA.DWG	.XX	SIZE : A4
				.XXX	
					PAGE : 2

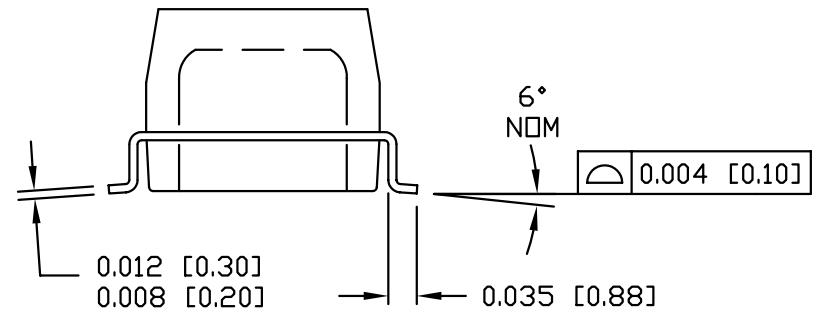
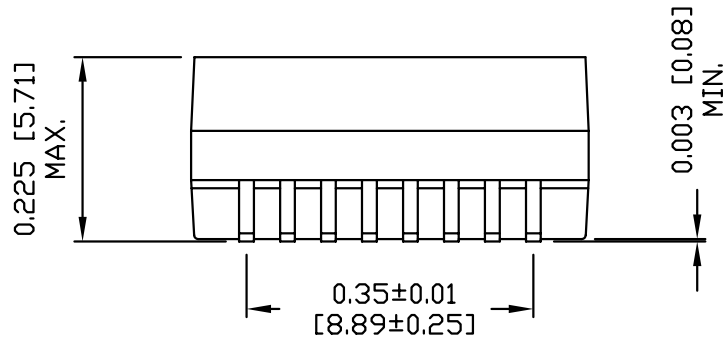
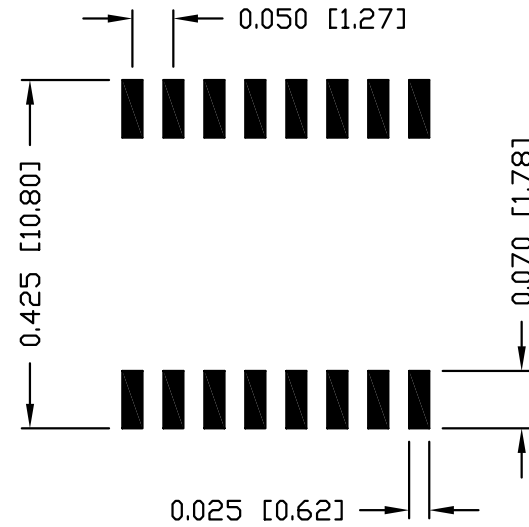
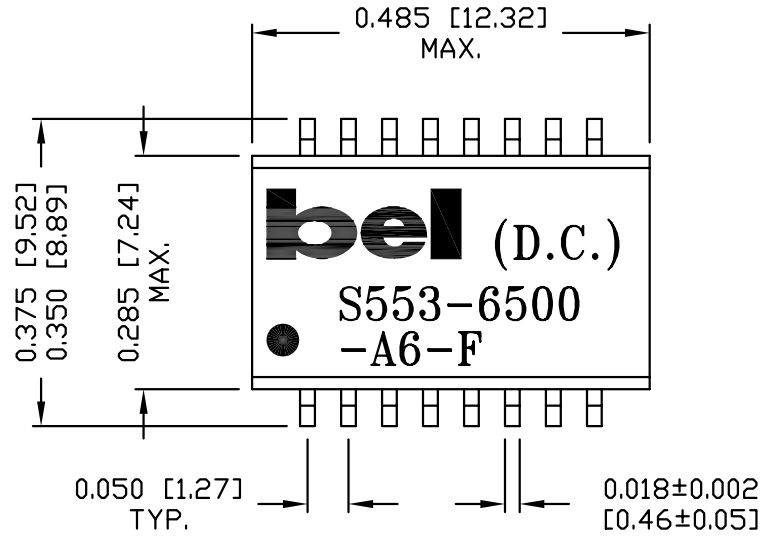


THE INFORMATION CONTAINED HEREIN IS CONSIDERED "PROPRIETARY" TO BEL FUSE INC. AND SHALL NOT BE COPIED, REPRODUCED OR DISCLOSED WITHOUT THE WRITTEN APPROVAL OF BEL FUSE INC.

RoHS
2002/95/EC



SUGGESTED PCB PAD LAYOUT



NOTES:

1. STANDARD MARKING REFER TO DDC. HAND-WORK-04.
2. PACKAGE CODE: "QBS001".

ORIGINATED BY	DATE	TITLE	PART NO. / DRAWING NO.	STANDARD DIM. TOL. IN INCH	[] METRIC DIM. AS REFERENCE
LAWRENCE TSANG	10-08-10	MECHANICAL OUTLINE S553-6500-A6-F	X5536500A6-F	.X	UNIT : INCH [mm]
DRAWN BY	DATE		FILE NAME	.XX ±0.01	SCALE : N/A
HY ZHANG	10-08-10		X5536500A6FA.DWG	.XXX ±0.005	REV. : A SIZE : A4 PAGE : 3

