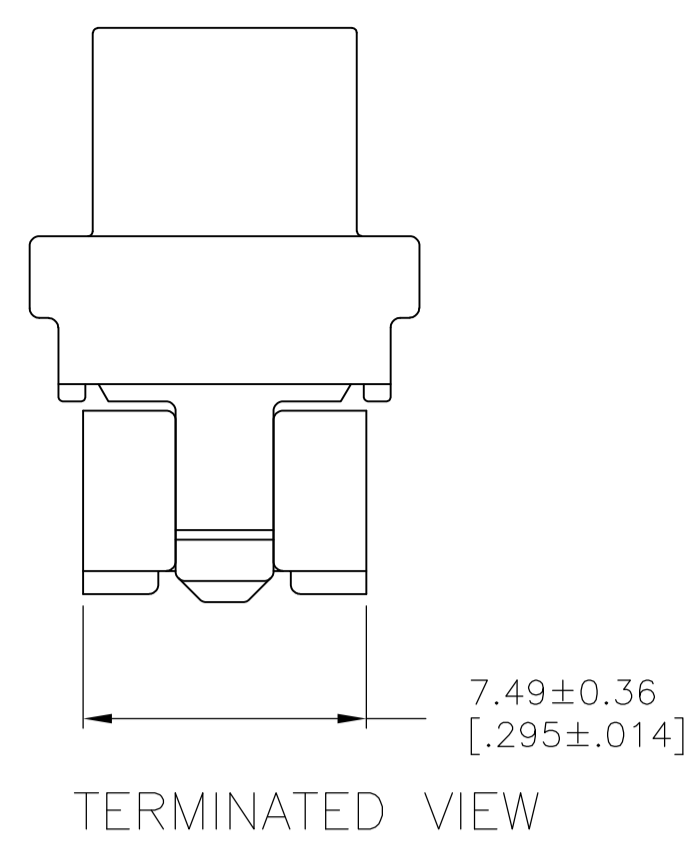
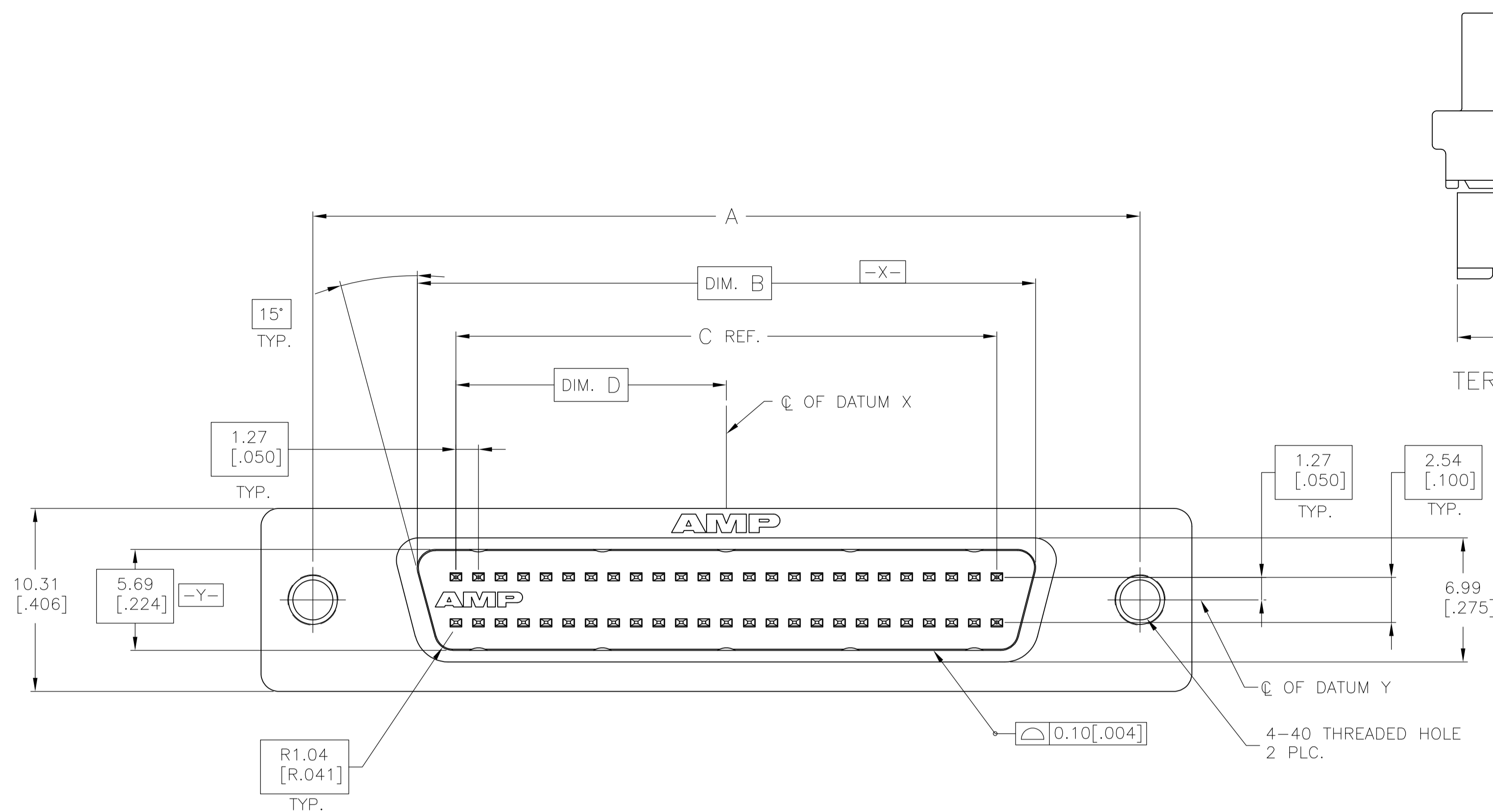
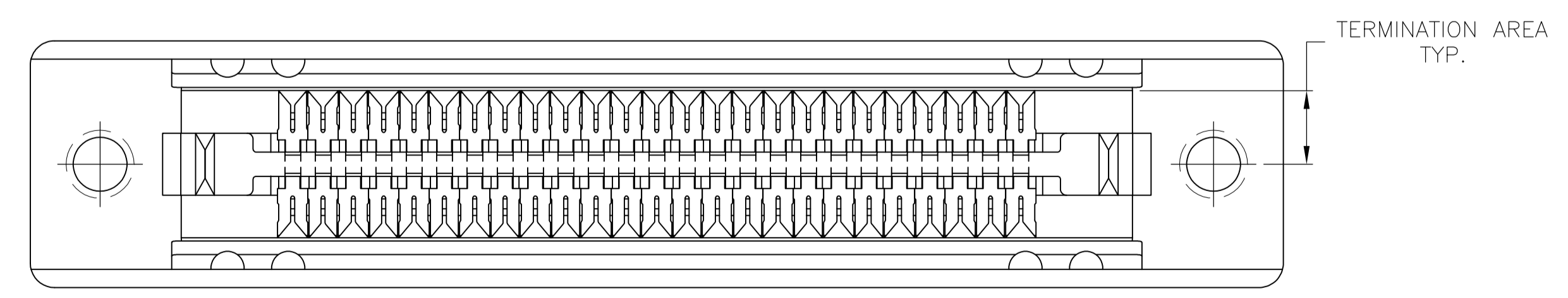
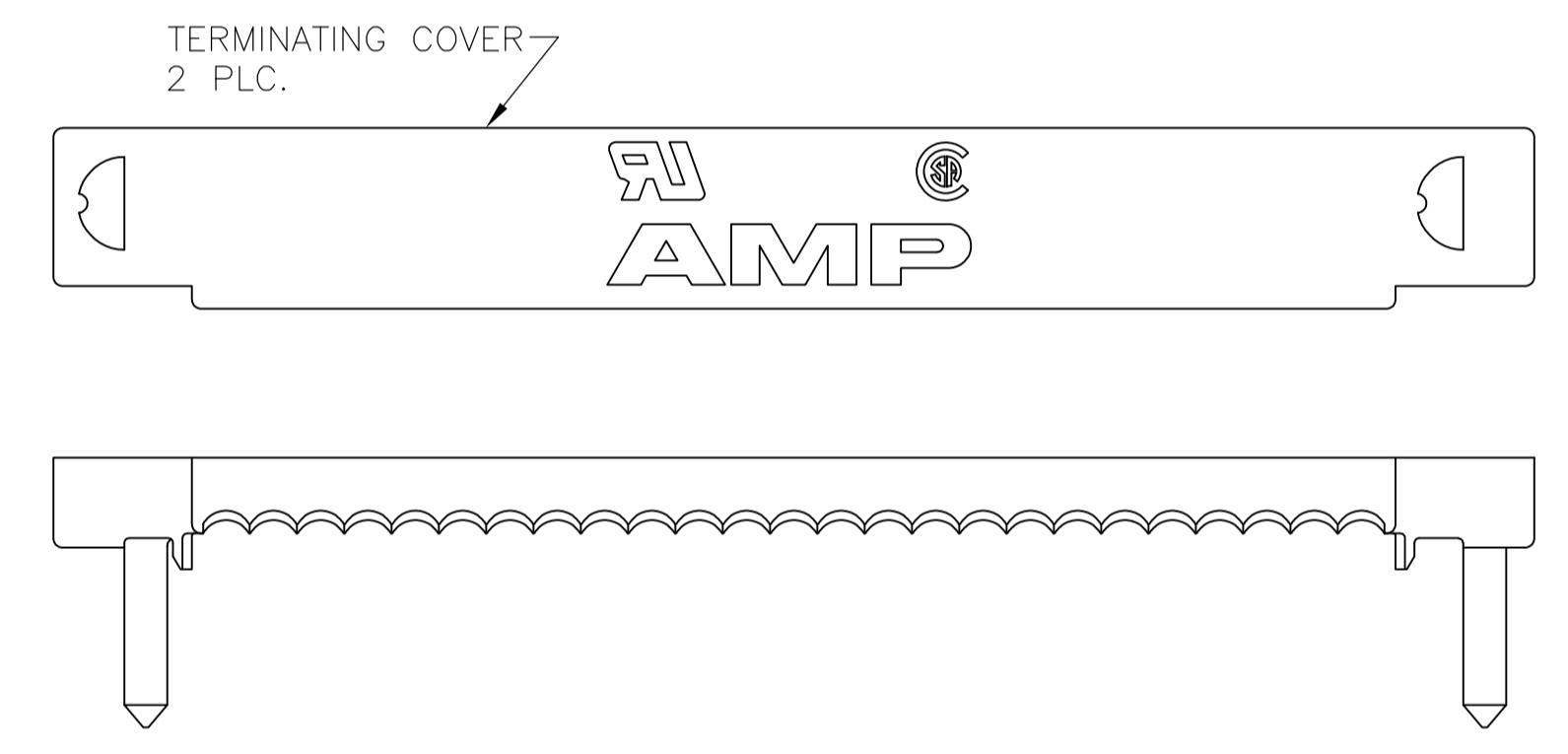
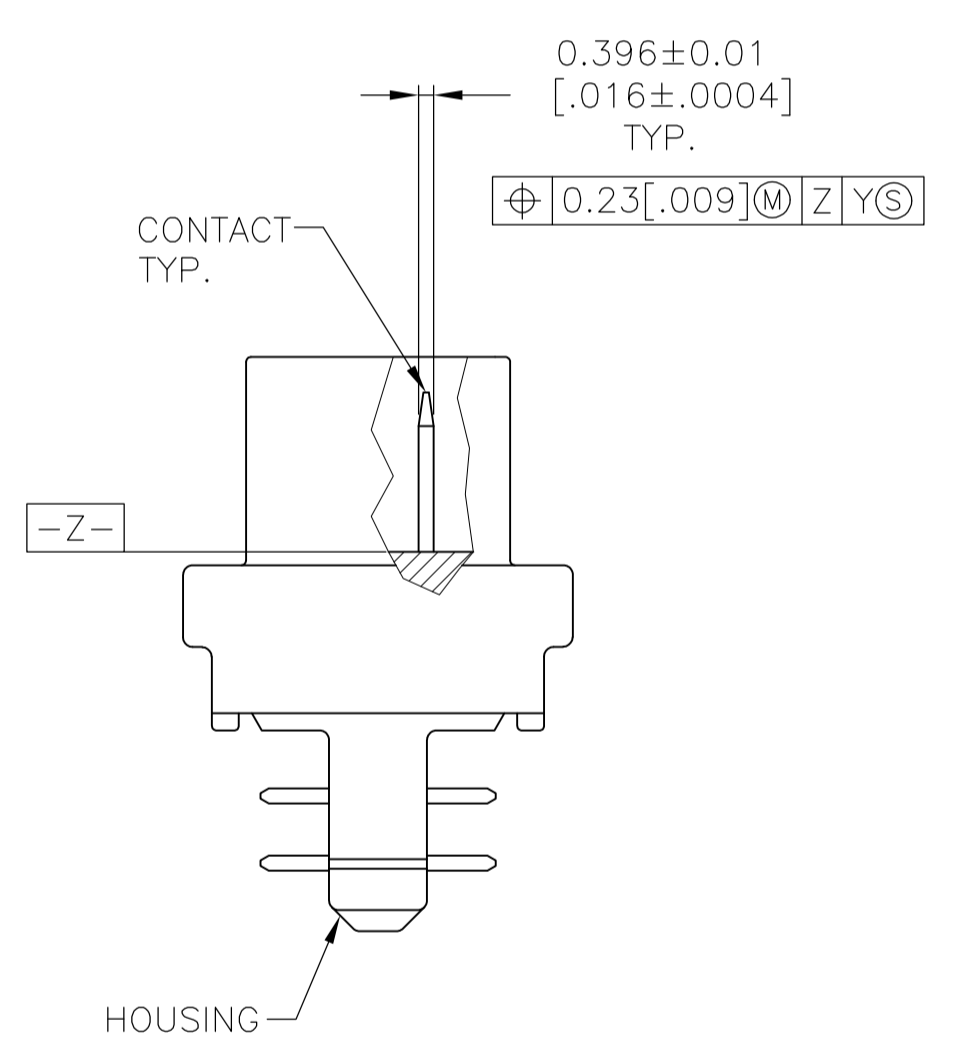
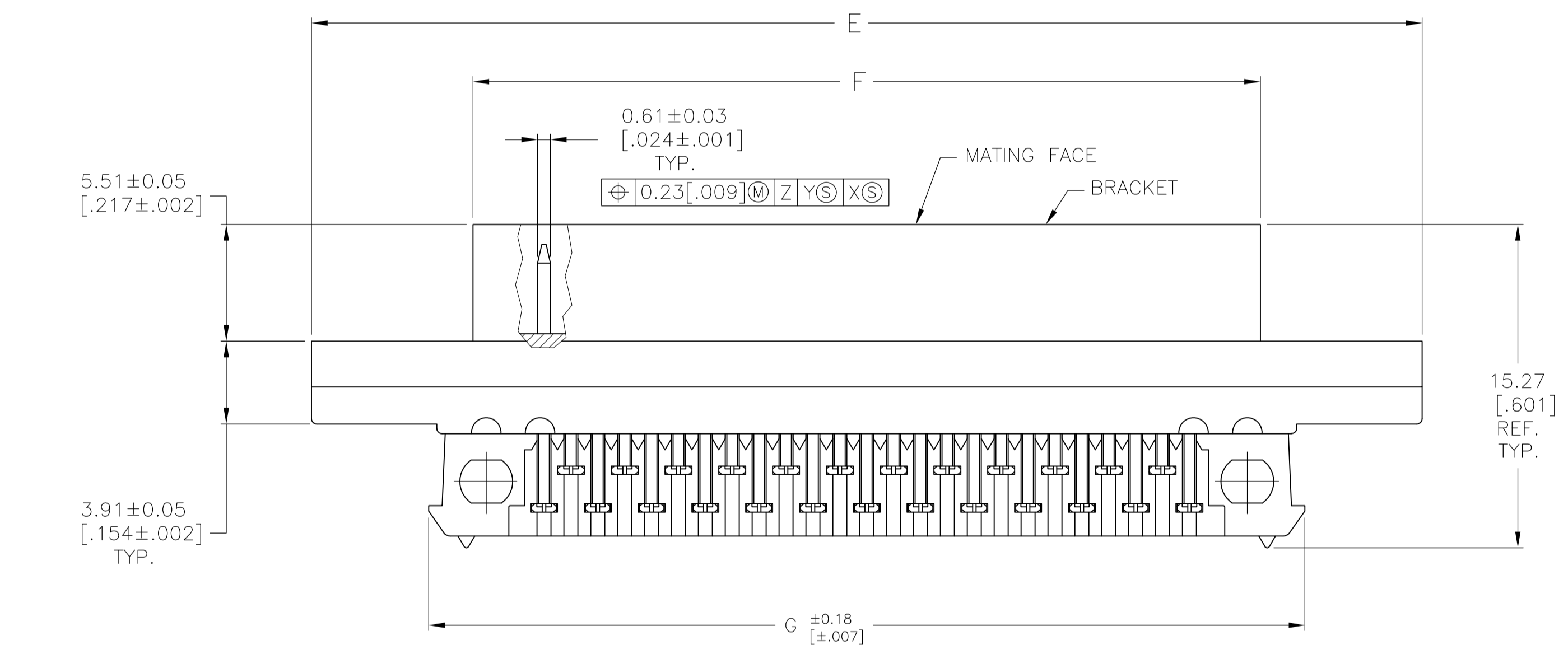


LOC		DIST		REVISONS			
GP	00	REV	DATE	BY	APPV	DATE	BY
AA	REVISED PER ECO-11-001216		08FEB2011	CJV	SLB		



- 1 MATERIAL—  
CONTACTS: PHOSPHOR BRONZE.  
BRACKET: ZINC.  
HOUSING & TERMINATING COVERS: POLYESTER, BLACK, UL 94V-0 RATED.
- 2 FINISH—  
CONTACTS: EITHER 0.76µm [.000030] MIN GOLD PLATE OR GOLD FLASH OVER PALLADIUM NICKEL PLATE, 0.76µm [.000030] MIN TOTAL FOR A LENGTH OF 3.35 [.132] MIN FROM MATING END, 1.27µm [.000050] MIN TIN-LEAD IN TERMINATION AREA, ALL OVER 1.27µm [.000050] MIN NICKEL.  
BRACKET: 5.08µm [.000200] MIN NICKEL OVER 7.62µm [.000300] MIN COPPER.
- 3. RECOMMENDED WIRE:  
28 AWG OR 30 AWG, SOLID OR 7 STRANDED, PVC INSULATION WITH A 0.74-0.91 [.029-.036] INSULATION DIA.
- 4. COVERS PACKAGED SEPARATE FROM CONNECTORS IN SAME SHIPPING CONTAINER.
- 5 FINISH—  
CONTACTS: EITHER 0.76µm [.000030] MIN GOLD PLATE OR GOLD FLASH OVER PALLADIUM NICKEL PLATE, 0.76µm [.000030] MIN TOTAL FOR A LENGTH OF 3.35 [.132] MIN FROM MATING END, 1.27µm [.000050] MIN TIN IN TERMINATION AREA, ALL OVER 1.27µm [.000050] MIN NICKEL.  
BRACKET: 5.08µm [.000200] MIN NICKEL OVER 7.62µm [.000300] MIN COPPER.
- 6 ROHS 2002/95/EC COMPLIANT



OBSOLETE	FINISH	DIMENSIONS								NO OF POSN.	PART NO.
		G	F	E	D	C	B	A			
		52.81 [2.079]	48.62 [1.914]	63.88 [2.515]	20.96 [.825]	41.91 [1.650]	46.28 [1.822]	57.91 [2.280]	68	5-750722-7	
		73.13 [2.879]	68.94 [2.714]	84.20 [3.315]	31.12 [1.225]	62.23 [2.450]	66.60 [2.622]	78.23 [3.080]	100	750722-9	
		52.81 [2.079]	48.62 [1.914]	63.88 [2.515]	20.96 [.825]	41.91 [1.650]	46.28 [1.822]	57.91 [2.280]	68	750722-7	
		41.38 [1.629]	37.19 [1.464]	52.45 [2.065]	15.24 [.600]	30.48 [1.200]	34.85 [1.372]	46.48 [1.830]	50	750722-1	

THIS DRAWING IS A CONTROLLED DOCUMENT.

DIMENSIONS: mm [INCHES]

TOLERANCES UNLESS OTHERWISE SPECIFIED:

0 PLC	± .005
1 PLC	± .002
2 PLC	± .001
3 PLC	± 0.13[.005]
4 PLC	± .001
ANGLES	± .001

MATERIAL: SEE TABLE

THIS DRAWING IS A CONTROLLED DOCUMENT.

DIN L. SIPE 02/27/91

CHK: J. McCLINTON 3-8-91

APVD: J. SAUNDER 3-8-91

NAME: Tyco Electronics Corporation Harrisburg, PA 17105-3608

PRODUCT SPEC: 108-1228

APPLICATION SPEC: 114-40029

SIZE: A1

SCALE: 5:1

SHEET: 1 OF 1

REV: AA