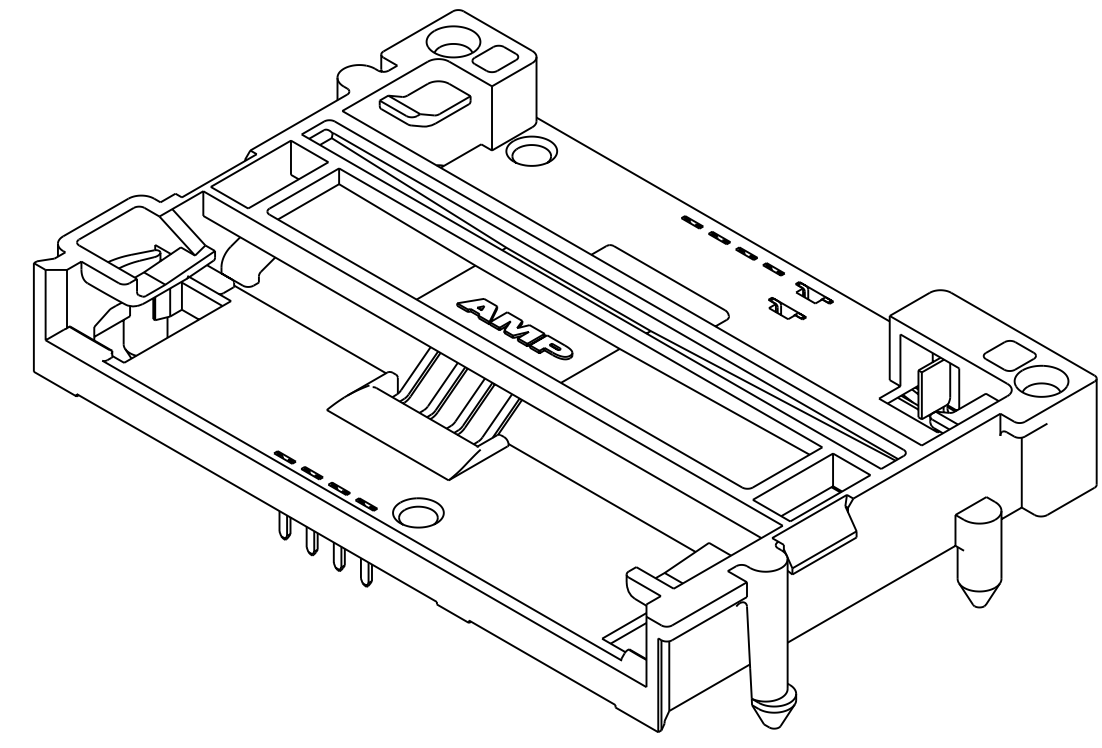
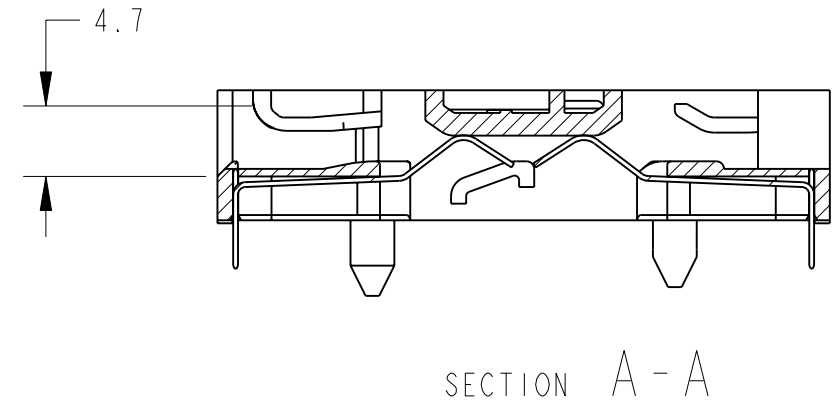


THIS DRAWING IS UNPUBLISHED. RELEASED FOR PUBLICATION
 © COPYRIGHT - ALL RIGHTS RESERVED.

LOC	DIST	REVISIONS			
P	LTR	DESCRIPTION	DATE	DWN	APVD
IR	-	BI	ECR-11-004915	08 MAR 2011	GG PKS



NOTES:

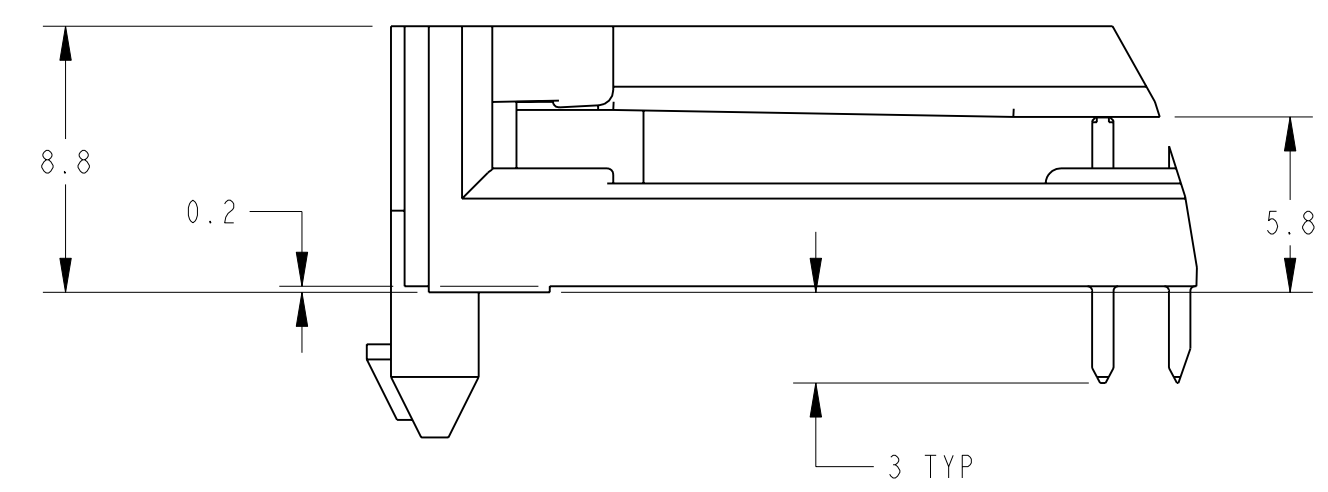
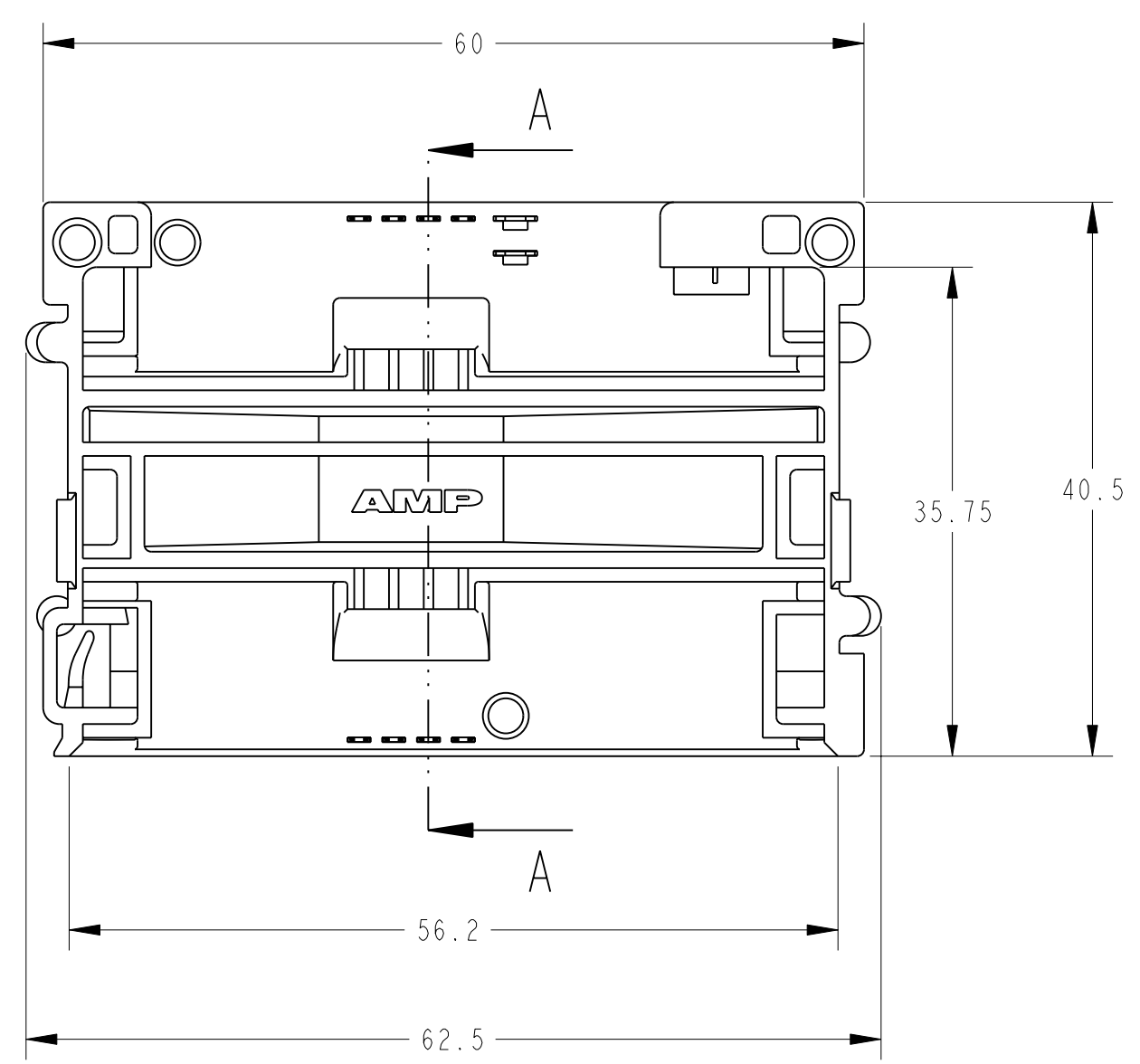
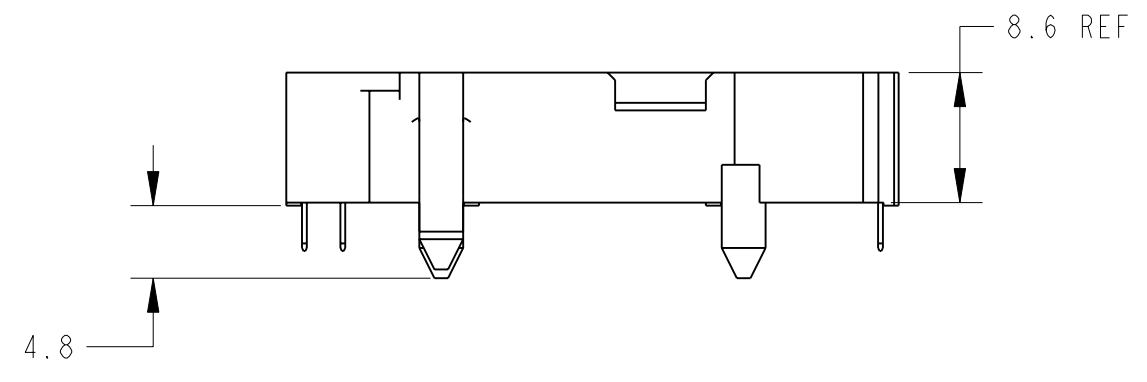
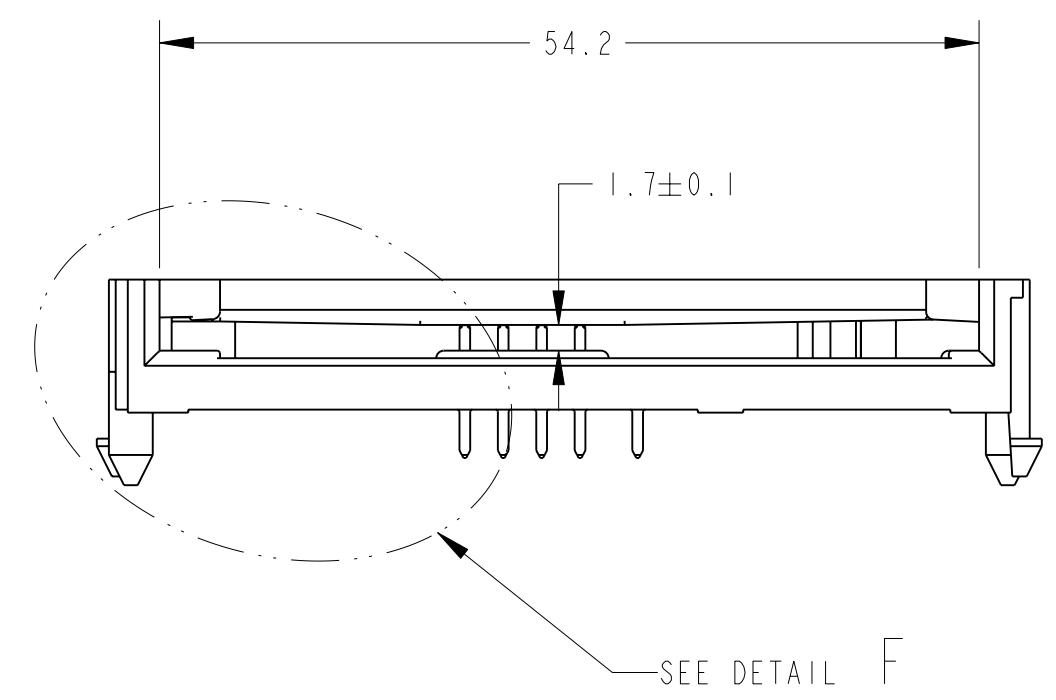
CONTACTS PLATING :

- 1 OVERALL: Ni 2µm MIN, ALL OVER THE CONTACTS.
 SOLDER ZONE: Sn 2.5µm MIN ON THE SOLDER ZONE OF THE CONTACTS.
 MATING ZONE: PLATING CONFIRMS TO PRODUCT REQUIREMENTS AS PER SPECIFICATION 108-15202.

MATERIAL :

- 2 HOUSING: PBT-GF, BLACK UL 94V0.
 CONTACTS: PHOSPHOR BRONZE.

- 3 TE SMART CARD RECEPTACLE DESIGNED TO ACCEPT ISO 7810-7816 TYPE INTEGRATED CIRCUIT SMART CARDS (0.76MM REF. THICKNESS) SEE SHEET 2/2

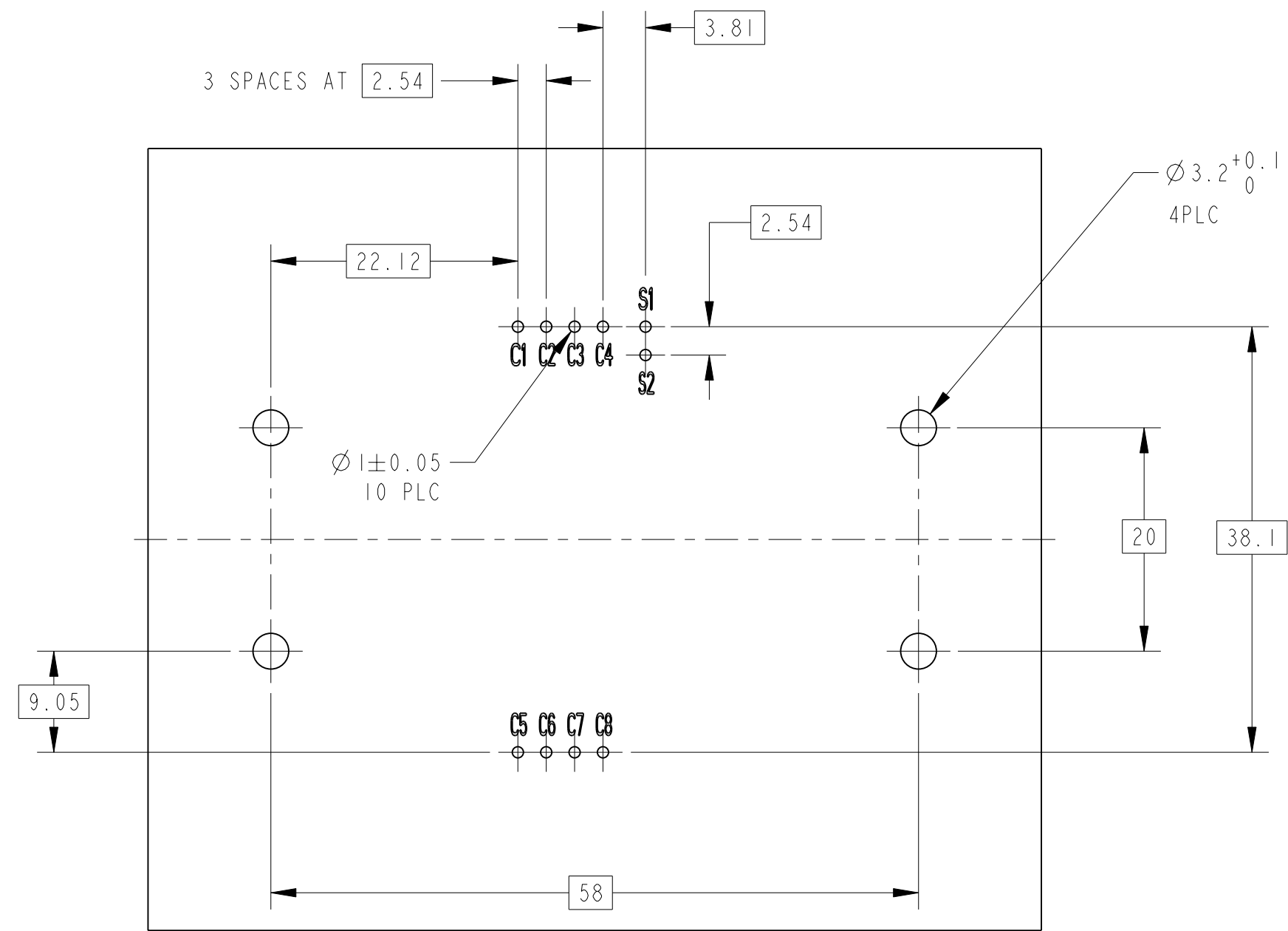


DETAIL F
SCALE 4:1

P/N : 5953501-1

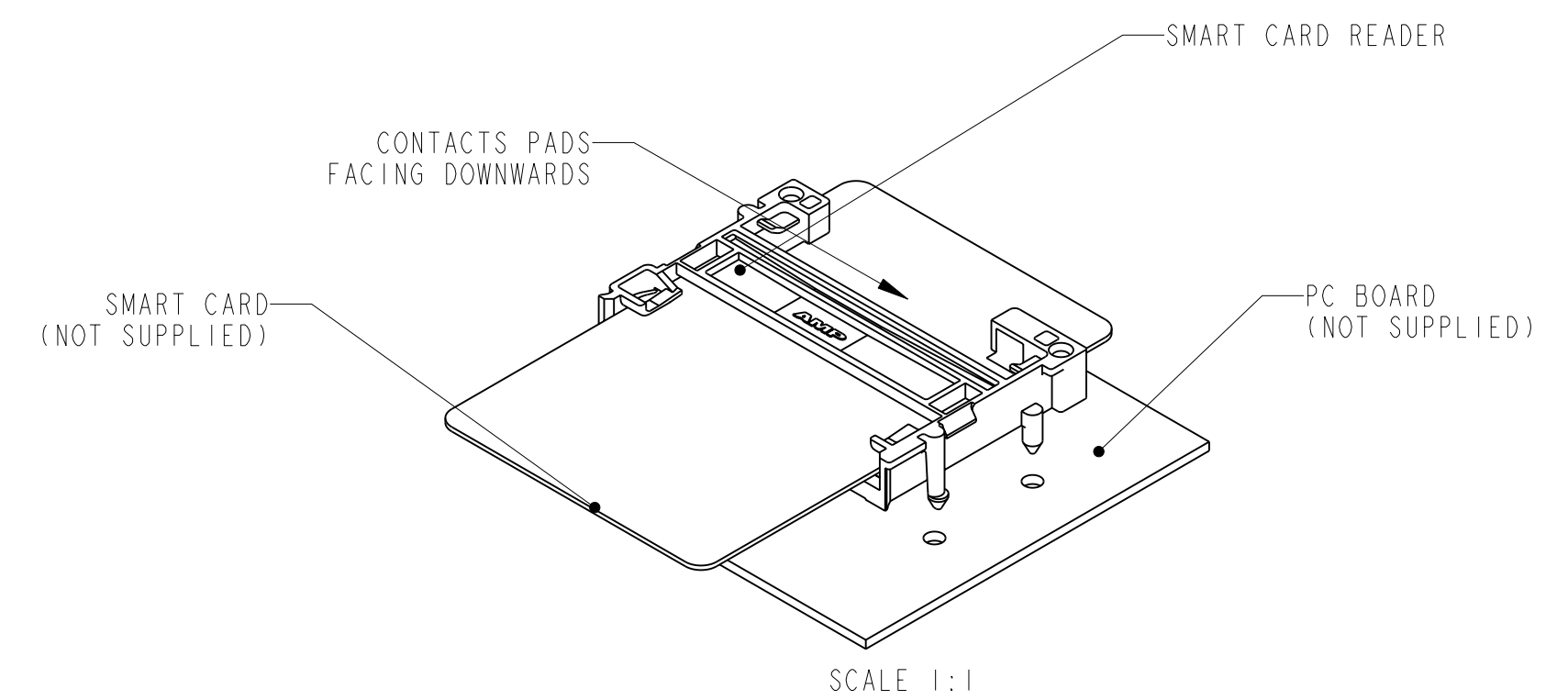
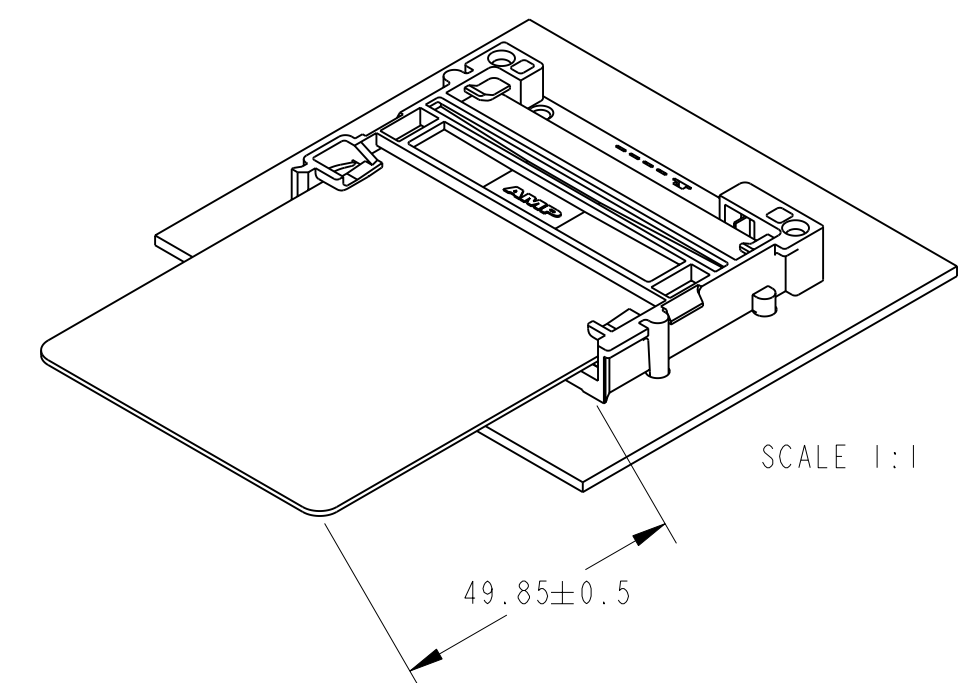
THIS DRAWING IS A CONTROLLED DOCUMENT.		DWN R. Coolen 02-Dec-04	TE Connectivity	
DIMENSIONS: mm		CHK W. Jansen		
TOLERANCES UNLESS OTHERWISE SPECIFIED:		APVD P. Jaeger	PRODUCT SPEC	SMART CARD CONNECTOR, VARIABLE THICKNESS, THRU HOLE
0 PLC ±0,3 1 PLC ±0,3 2 PLC ±0,3 3 PLC ± 4 PLC ±		APPLICATION SPEC	108-15202	RESTRICTED TO
ANGLES ±5 FINISH		WEIGHT	-	-
MATERIAL	2	CUSTOMER DRAWING	SCALE 2:1	SHEET 1 OF 2 REV BI

THIS DRAWING IS UNPUBLISHED. RELEASED FOR PUBLICATION
 © COPYRIGHT - ALL RIGHTS RESERVED.



ECHELLE 2:1
 (CONNECTOR SIDE)
 POSITION TOLERANCE FOR ALL HOLES $\varnothing 0.13$
RECOMMENDED PCB LAYOUT
 PCB BOARD THICKNESS 1.57 ± 0.1 (.062)

LOC	DIST	REVISIONS					
		P	LTR	DESCRIPTION	DATE	DWN	APVD
1R	-	-	-	SEE SHEET 1	-	-	-



PCB MOUNTING CONFIGURATION

THIS DRAWING IS A CONTROLLED DOCUMENT.		DWN R. Coolen 02-Dec-04	TE Connectivity	
DIMENSIONS: mm		CHK W. Jansen		
TOLERANCES UNLESS OTHERWISE SPECIFIED:		APVD P. Jaeger	SMART CARD CONNECTOR, VARIABLE THICKNESS, THRU HOLE	
0 PLC ±0,3 1 PLC ±0,3 2 PLC ±0,3 3 PLC ± 4 PLC ± ANGLES ±5 FINISH		PRODUCT SPEC -	SIZE A2	CAGE CODE C-5953501
MATERIAL		APPLICATION SPEC -	DRAWING NO C-5953501	RESTRICTED TO -
		WEIGHT -	SCALE 2:1	SHEET 2 OF 2
		CUSTOMER DRAWING	REV B1	