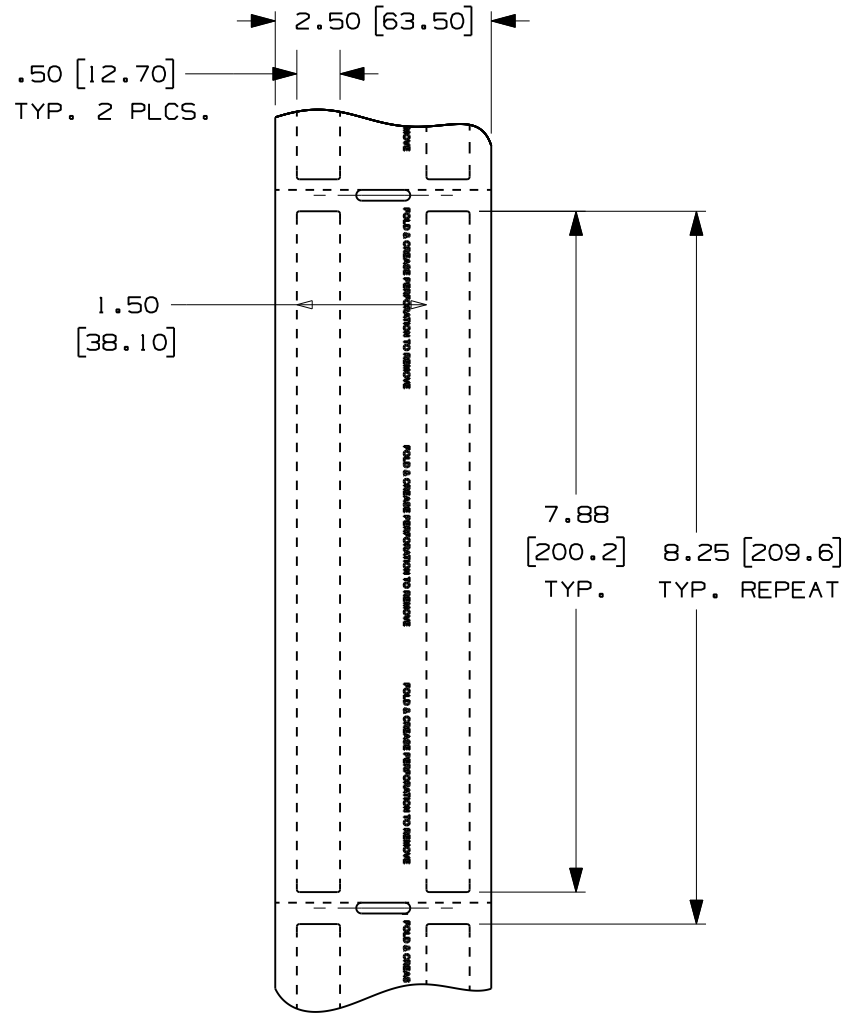


THIS COPY IS PROVIDED ON A RESTRICTED BASIS AND IS NOT TO BE USED IN ANY WAY DETRIMENTAL TO THE INTERESTS OF PANDUIT CORP.



PART NO.	MARKER SIZE inches (mm)	LABELS PER ROW	LABELS PER ROLL
C788X050Y1T	7.88 X .50 [200.2] X [12.7]	2	1000

CAD FILENAME/LAYERS 100472KN_DC_C10737/02C

PANDUIT CORP. TINLEY PARK, ILLINOIS

CUSTOMER DRAWING C788X050Y1T
THERMAL TRANSFER PRINTABLE LABELS

REV	DATE	BY	CHK	DESCRIPTION	ECN	R	CUST	SUP
3	7/17/09	RVU		GMH5 WAS GMY10.	5799	R		
2	2/2/09	RVU		ADD TEXT, "FOLD & CREASE PERFORATION TO REMOVE".	5652	R		
1	12/12/08	RVU		GMY10 WAS GMY9. 8.25" WAS 8.23".	5617	R		
0	8/25/08	RVU		DRAWING RELEASE.	4783	R		

UNLESS OTHERWISE SPECIFIED,
DIMENSIONAL TOLERANCES ARE:
(.X) ± .1 (XXX) ± .025
(.XX) ± .050 ANGLES ±

UNLESS OTHERWISE SPECIFIED,
ALL DIMENSIONS ARE GIVEN
IN INCHES, THIRD ANGLE PROJECTION.

DRAWN BY
RVU

MAT'L:



DATE
08/25/08

GMH5
NON-ADHESIVE
WHITE
POLYESTER

SCALE
NTS

DRAWING NO.
C10737

DWG
A
SIZE