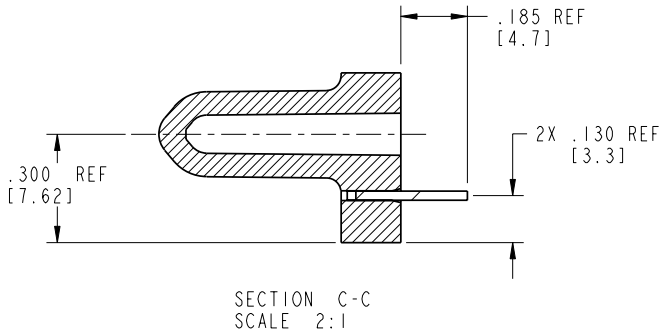
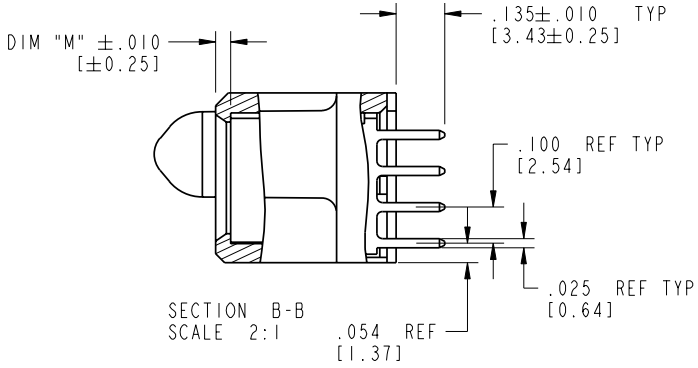
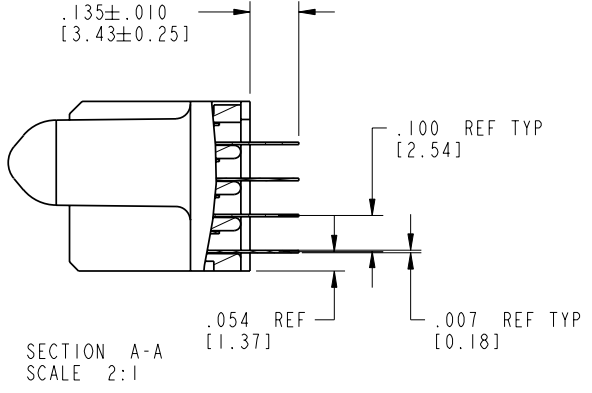


Tous droits strictement reserves. Reproduction ou communication a des tiers interdite sous quelque forme que ce soit sans autorisation écrite du propriétaire. Propriete de c FCI. Droits de reproduction FCI.

All rights strictly reserved. Reproduction or issue to third parties in any form whatever is not permitted without written authority from the proprietor. Property of FCI. Copyright FCI.

PRODUCT NUMBER
51751-016--
NOTE ③



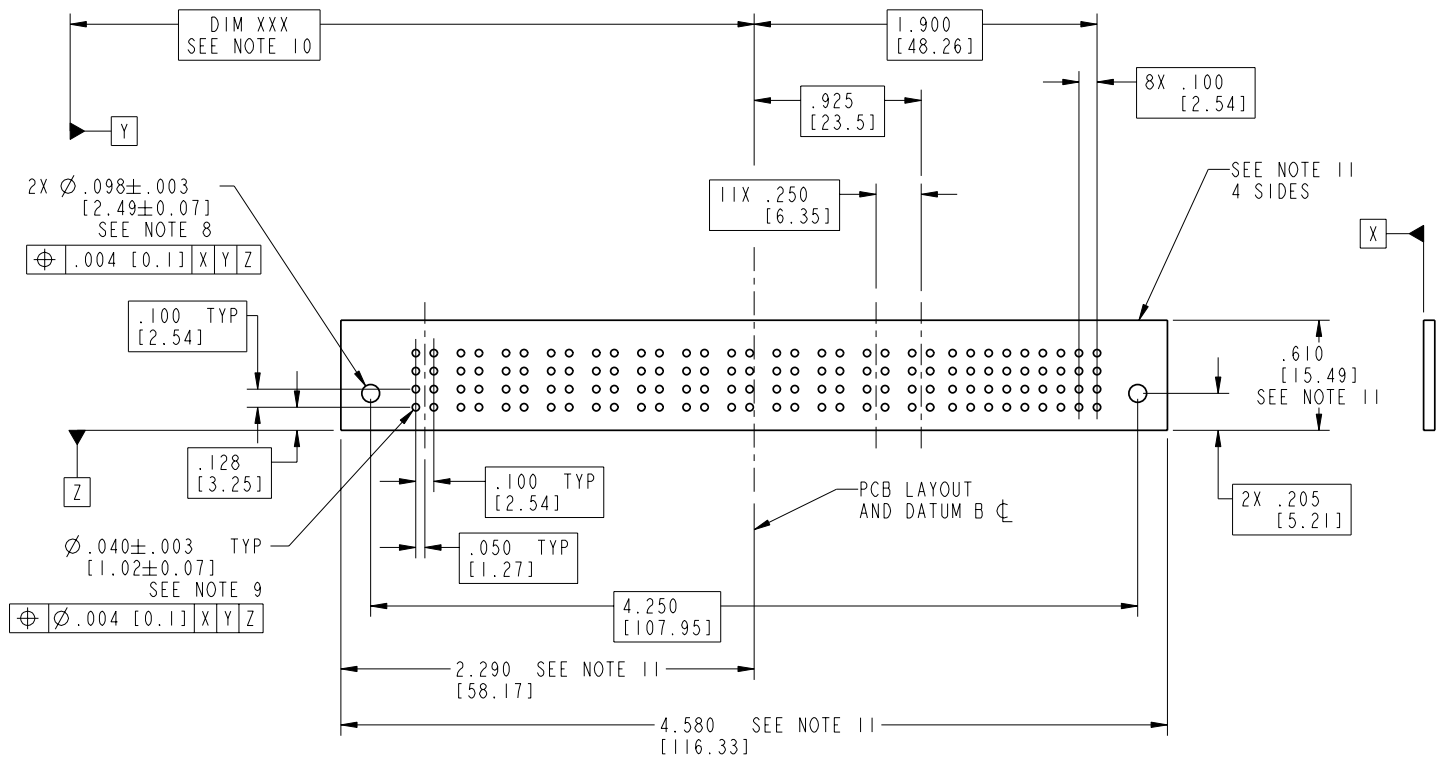
mat'l code SEE NOTE 2				tolerances unless otherwise specified		CUSTOMER		 www.fciconnect.com	
lfr	ecn no.	dr	date	linear	.XX±.01/0.X±0.3	COPY		projection	title
A					.XXX±.005/0.XX±0.13				36S + 12P
				angles	.XXX±.002/0.XXX±0.051				VERTICAL SOLDER RECEPT
				dr	0°±2°	INCH/MM		product family	PwrBlade
				enrg	RYAN YUAN 03/03/06	scale		size	code
				chr	SALLY LUO 03/03/06	1:1		dwg no	213
				appd	BEER FU 03/03/06			A	51751-016
					JOSEPH HSIA 03/03/06			sheet	2 of 4
sheet index	revision sheet								

cage code 22526

Tous droits strictement réservés. Reproduction ou communication à des tiers interdite sous quelque forme que ce soit sans autorisation écrite du propriétaire. Propriété de c FCI. Droits de reproduction FCI.

All rights strictly reserved. Reproduction or issue to third parties in any form whatever is not permitted without written authority from the proprietor. Property of FCI. Copyright FCI.

PRODUCT NUMBER
51751-016--
NOTE ③



mat'l code		SEE NOTE 2		tolerances unless otherwise specified		CUSTOMER		 www.fciconnect.com	
lfr	ecn no.	dr	date	linear	.XX±.01/0.X±0.3	COPY			
A				angles	.XXX±.005/0.XX±0.13	projection		title	36S + 12P
				dr	.XXX±.002/0.XXX±0.051			VERTICAL SOLDER RECEPT	
				engr		INCH/MM		product family	PwrBlade
				chr	RYAN YUAN 03/03/06	scale		size	213
				appd	SALLY LUO 03/03/06	1:1		dwg no	51751-016
					BEER FU 03/03/06			code	3 of 4
					JOSEPH HSIA 03/03/06			sheet	
sheet index	revision sheet								

cage code 22526

PRODUCT NUMBER
 51751-016--
 NOTE ③

NOTES:

1. DIMENSIONS AND TOLERANCES ARE IN ACCORDANCE WITH ASME Y14.5M, 1994 UNLESS OTHERWISE SPECIFIED.

CONNECTOR NOTES:

② HOUSING MATERIAL: UL 94 V-0 GLASS FILLED HIGH-TEMP THERMOPLASTIC
 POWER CONTACT MATERIAL: COPPER ALLOY
 SIGNAL PIN MATERIAL: COPPER ALLOY

③ PLATING:
 SEE PRINT 10064183 FOR PLATING SPEC OF 51751-016; 51751-016LF

④ MANUFACTURER'S NAME, P/N, AND DATE CODE TO APPEAR ON THIS SURFACE.

5. PRODUCT SPECIFICATION GS-12-149.
 APPLICATION SPECIFICATION BUS-20-067.

6. PACKAGED IN TRAYS.

PCB NOTES:

7. ALL HOLE DIAMETERS ARE FINISHED HOLE SIZE.

⑧ MOUNTING HOLES, WHERE APPLICABLE, ARE UNPLATED.

⑨ $\varnothing .0453 \pm .0010$ [1.151 \pm 0.025] DRILLED HOLES PLATED WITH
 .0003 [0.008] MIN SnPb OVER .001 [0.03]
 TO .003 [0.08] Cu PLATING TO ACHIEVE
 $\varnothing .040 \pm .003$ [1.02 \pm .07] HOLE.

⑩ "DIM XXX" TO BE DETERMINED BY THE CUSTOMER.

⑪ CONNECTOR KEEP-OUT ZONE.

Tous droits strictement reserves. Reproduction ou communication a des tiers interdite sous quelque forme que ce soit sans autorisation ecrite du proprietaire. Propriete de c FCI. Droits de reproduction FCI.

A

A



All rights strictly reserved. Reproduction or issue to third parties in any form whatever is not permitted without written authority from the proprietor. Property of FCI. Copyright FCI.

B

B

mat'l code				SEE NOTE 2		tolerances unless otherwise specified		CUSTOMER		A FCI		www.fciconnect.com			
lfr	ecr no.	dr	date	linear	.XX±.01/0.X±0.3		projection	COPY		title		36S + 12P			
A					.XXX±.005/0.XX±0.13			INCH/MM		product family		PwrBlade		code	
				angles	.XXX±.002/0.XXX±0.051		scale		size		dwg no		213		
				dr	0°±2°		1:1		A		51751-016		sheet		
				enrg	RYAN YUAN	03/03/06							4 of 4		
				chr	SALLY LUO	03/03/06									
				appd	BEER FU	03/03/06									
					JOSEPH HSIA	03/03/06									
sheet index		revision sheet													