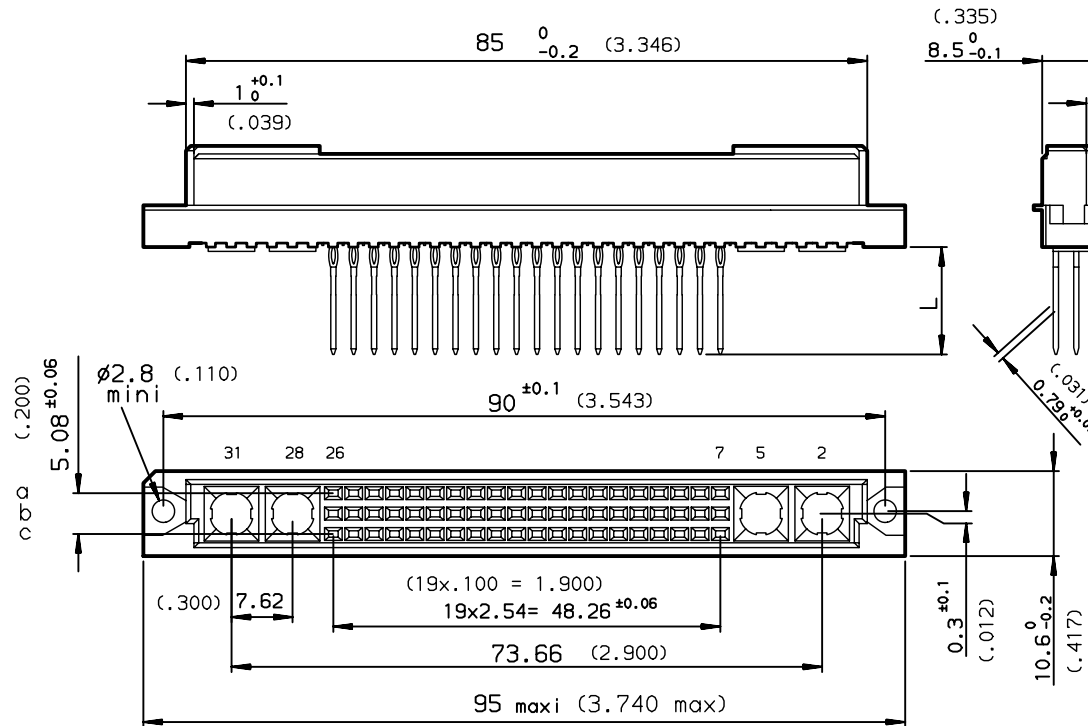
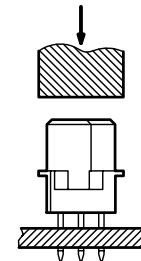


DIMENSIONS mm (inches)



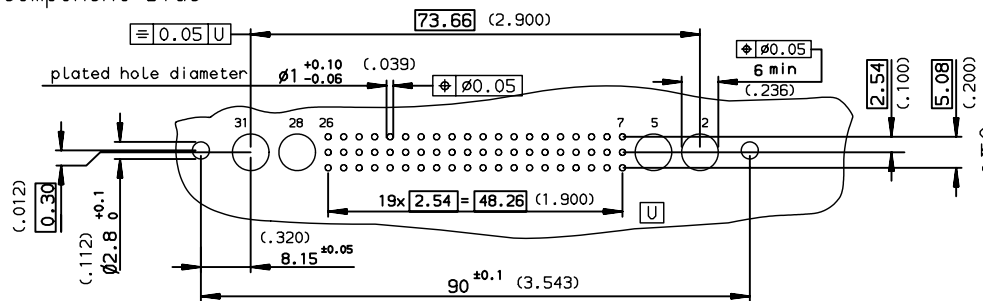
METHOD OF INSERTION  
ON THE PCB = FLAT ROCK



PART NUMBER	8609	<input type="checkbox"/>	<input type="checkbox"/>	D1	<input type="checkbox"/>	7	<input type="checkbox"/>	5	<input type="checkbox"/>
PIN OUT									
rows a-b-c						3		60	
rows a-c						4		40	
NUMBER OF CONTACTS									
TERMINATION									
L = 13.10 ±0.20 (C.515)				1 wrap				91	
L = 17.10 ±0.20 (C.673)				2 wraps				92	
L = 3.00 ±0.20 (C.118)				short post				94	
PERFORMANCE CLASS									
DIN 41612 class 3									4
DIN 41612 class 2									5
DIN 41612 class 1									6
TERMINATION TYPE									
TIN LEAD									- 000E3
LEAD FREE									- E3LF

PCB DRILLING  
component side

PERFORMANCES AS PER DIN 41612



GENERAL CHARACTERISTICS AND ROHS INFORMATIONS:

SEE DRAWING C-8609-0000C

European Views

www.fciconnect.com		surface ISO 1302 <input checked="" type="checkbox"/>	tolerance std ISO 406 ISO 1101	projection 	mm
TOLERANCES UNLESS OTHERWISE SPECIFIED					
Dr	ROUILLARD	1997/01/27	ANGULAR	0.X ±0.1	size A3
Eng	TARON	1997/01/27	LINEAR	0.XX ±0.1	Scale 1.5
Chr	LEGARE	1997/01/27	0.XX' ±2'	0.XXX ±0.1	ECN LS06-0095
Appr	LEGARE	1997/01/27	Product family	DIN 8609	Spec ref -
FCI		title STRAIGHT FEMALE - STYLE M		Rev. D	
catalog no		-		C-8609-0556	
-		-		CUSTOMER sheet 1 of 1	

rev	ecn no	dr	date
B	-	ROU	1997/11/05
C	LS05-004	JTA	2005/02/28
D	LS06-0095	LGO	2006/07/12
-	-	-	-
-	-	-	-
-	-	-	-
-	-	-	-