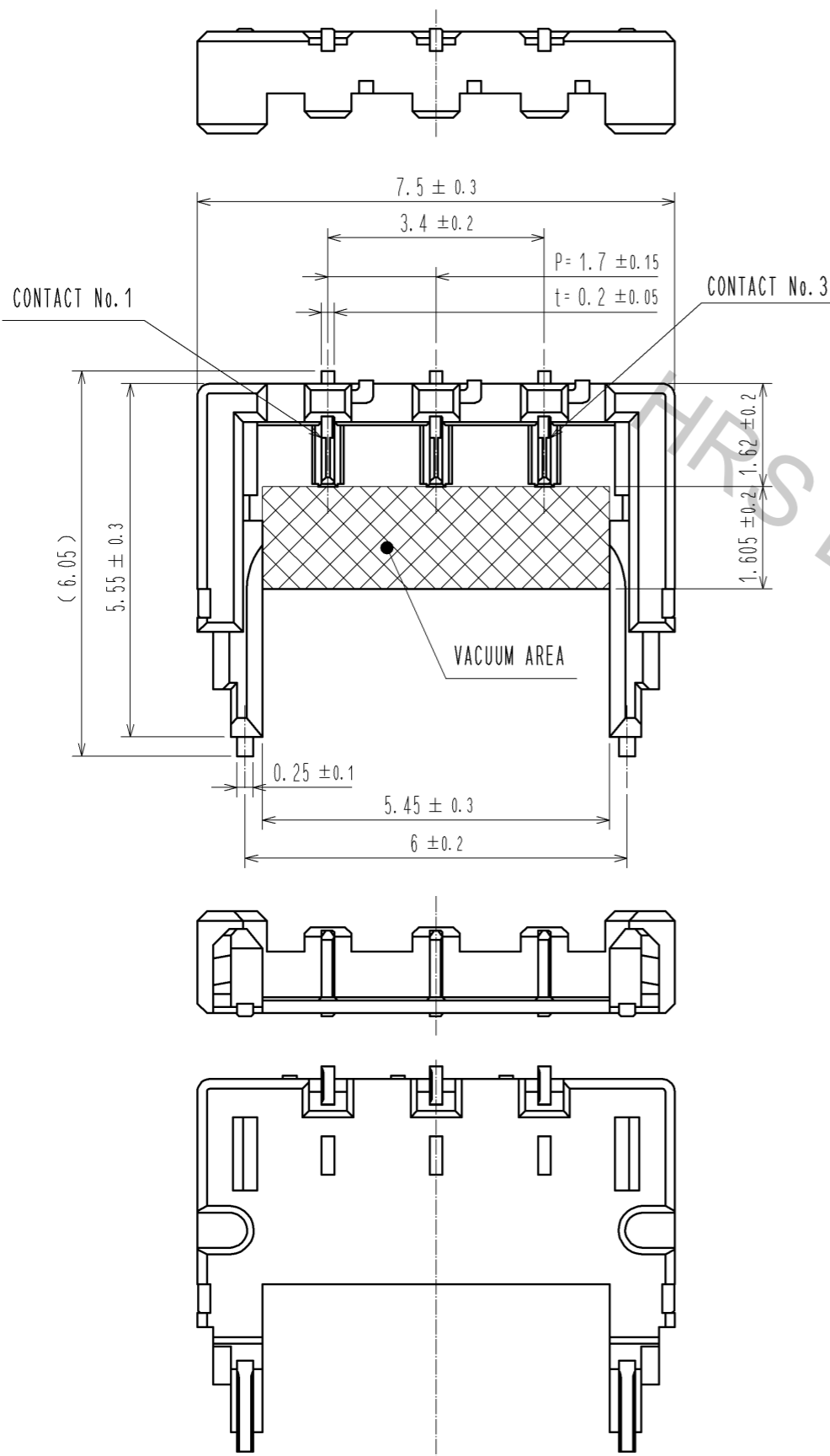
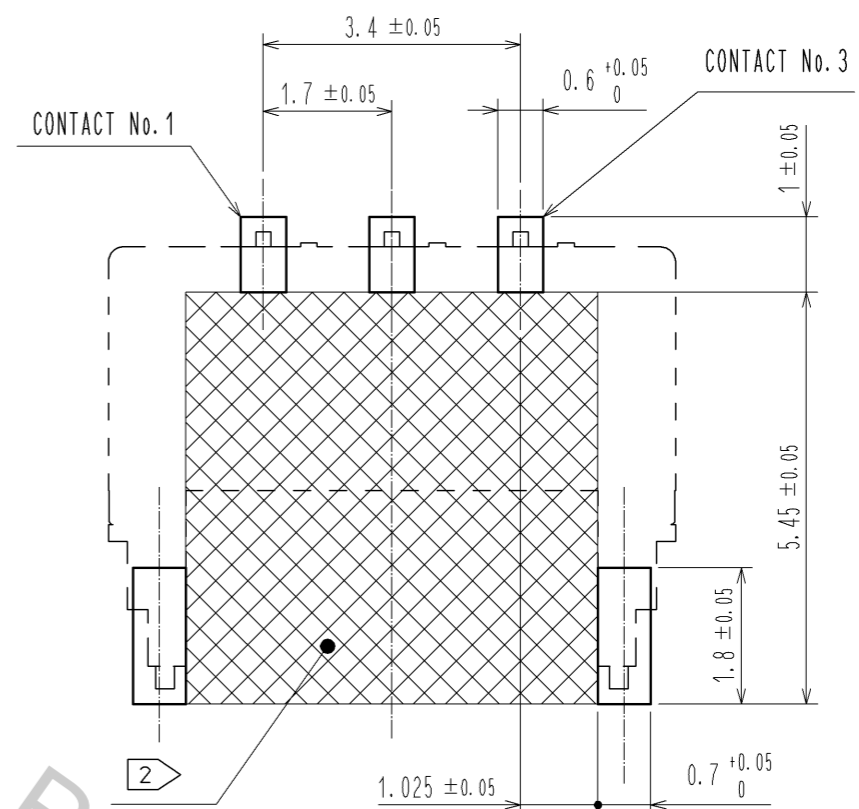


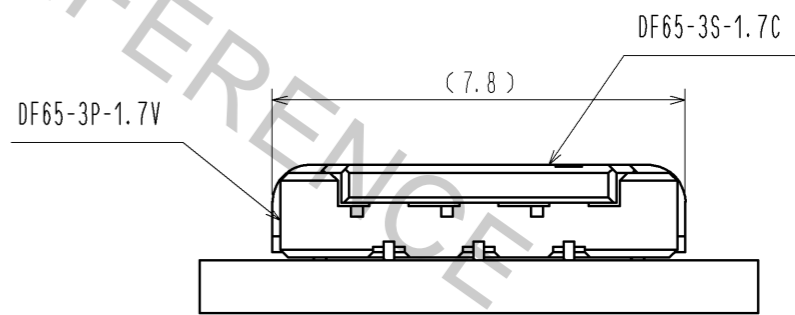
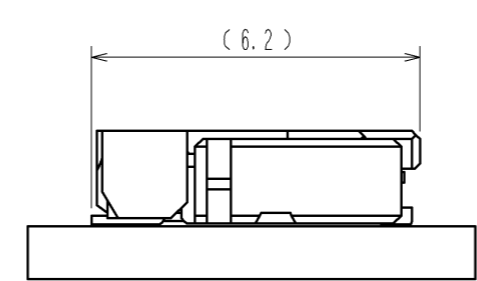
Apr.1.2017 Copyright 2017 HIROSE ELECTRIC CO., LTD. All Rights Reserved.



RECOMMENDED PCB LAYOUT (MOUNTING SURFACE SIDE)(FREE)  
 RECOMMENDED METAL MASK (FREE)  
 THICKNESS : 0.1mm

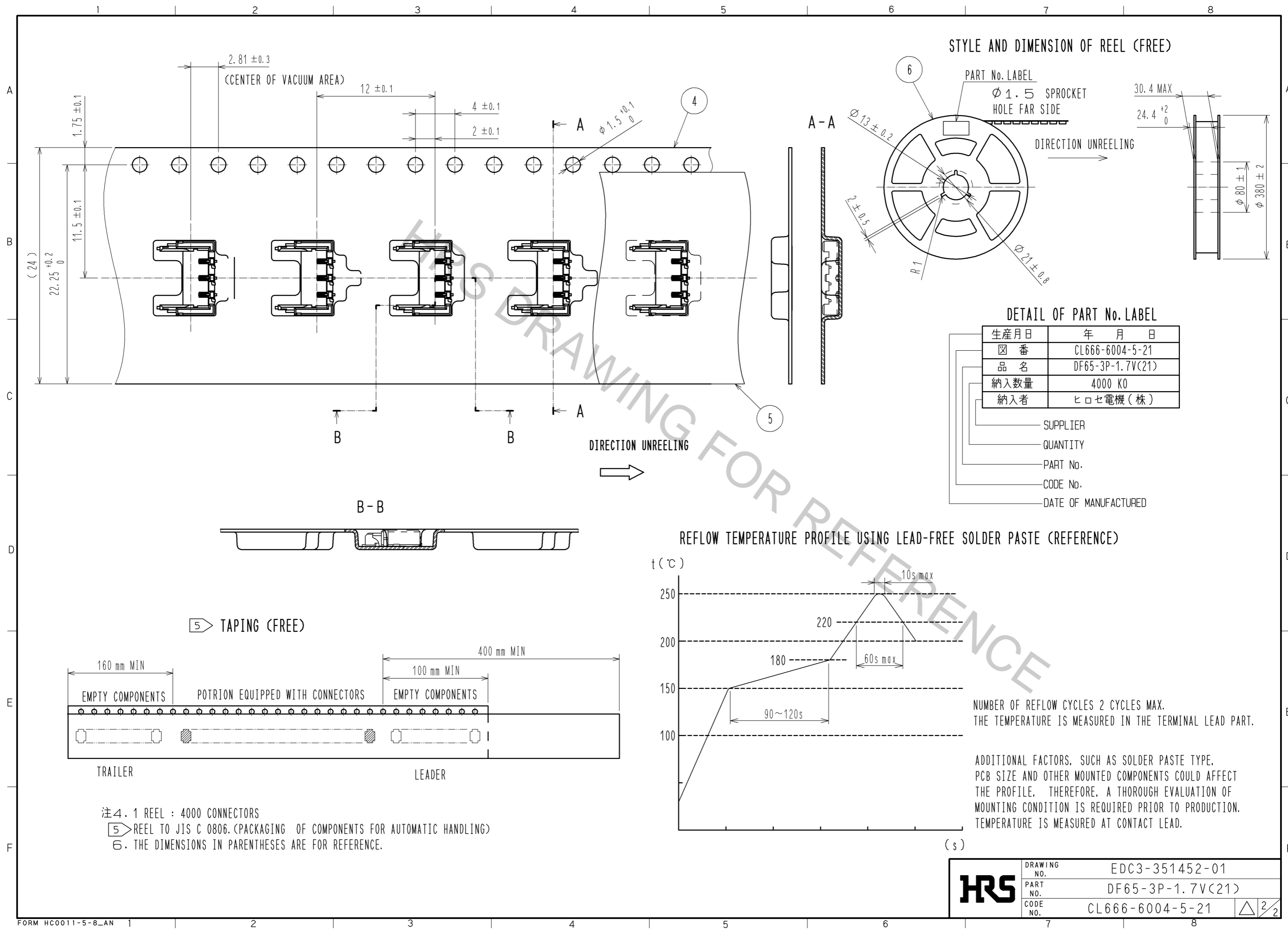


MATING FIGURE ( FREE )



NOTE1. LEAD CO-PLANARITY SHALL BE 0.1mmMAX  
 2. AREA INDICATED MUST BE FREE OF CONDUCTIVE TRACES OR THE CONDUCTIVE TRACES MUST BE COVERED BY RESIST FILM.  
 3. PLEASE CONSULT HIROSE WHEN THE PRODUCT IS MOUNTED TO FPC.

3	BRASS	SURFACE:TIN PLATING 1μmMIN UNDER PLATING:NICKEL PLATING 0.5μmMIN			
2	BRASS	SURFACE:TIN PLATING 1μmMIN UNDER PLATING:NICKEL PLATING 0.5μmMIN	6	PS	REEL. BLACK
1	LCP	UL94V-0, BLACK	5	POLYESTER	CLEER(COVER TAPE)
			4	PS	CLEER(CENBOSSED CARRIER TAPE)
NO.	MATERIAL	FINISH . REMARKS	NO.	MATERIAL	FINISH . REMARKS
UNITS		SCALE	COUNT	DESCRIPTION OF REVISIONS	
mm		10 : 1	△	DESIGNED	CHECKED
<b>HRS</b> HIROSE ELECTRIC CO., LTD.		APPROVED : KI. AKIYAMA	13.12.20	DRAWING NO. EDC3-351452-01	
		CHECED : OM. MIYAMOTO	13.12.20	PART NO. DF65-3P-1.7V(21)	
		DESIGNED : TT. OHSAKO	13.12.18	CODE NO. CL666-6004-5-21	
		DRAWN : TT. OHSAKO	13.12.18	△ 1/2	



<b>HRS</b>	DRAWING NO.	EDC3-351452-01
	PART NO.	DF65-3P-1.7V(21)
	CODE NO.	CL666-6004-5-21
	2/2	