

MODEL:

SR2400

SmartRack® 42U Value Series Standard-Depth Rack Enclosure Cabinet



42 Rack Units



2400 lb.
Stationary
Load Capacity



1600 lb.
Rolling
Load Capacity



Heavy-Duty
Casters



Locking Doors &
Side Panels



Standard
19 in.
Rack Width



Toolless
Mounting Slots



Adjustable
Rails with
Easy-View
Depth Index



Airflow
Exceeds
Server OEM
Requirements



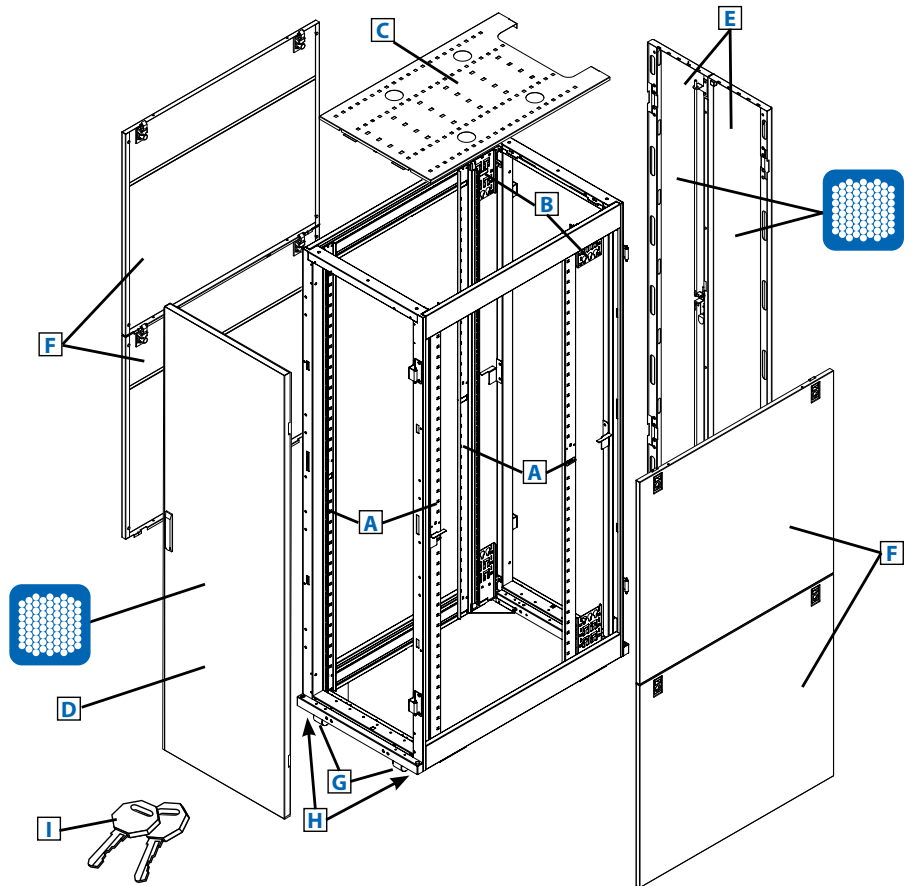
Integrated
Baying Tabs



Square Hole
Mounting

- A** Adjustable Mounting Rails
- B** Toolless Mounting Slots
- C** Roof Panel (Removable)
- D** Front Door
(Lockable/Removable/Reversible)
- E** Split Rear Doors
(Lockable/Removable)
- F** Side Panels
(Lockable/Removable)
- G** Heavy-Duty Casters
- H** Heavy-Duty Levelers
- I** Keys
(For doors and side panels.)

Also Includes: Owner's manual,
2 shipping/stabilizing brackets and
equipment-mounting hardware (50 M6 cage
nuts, 50 M6 washers, 50 M6 screws)



- Ships fully assembled for rapid deployment, but can be knocked down for easy reassembly in confined spaces
- Rolls into place on heavy-duty pre-installed removable casters
- Ideal for rack-mount server, network and telecom applications

Specifications

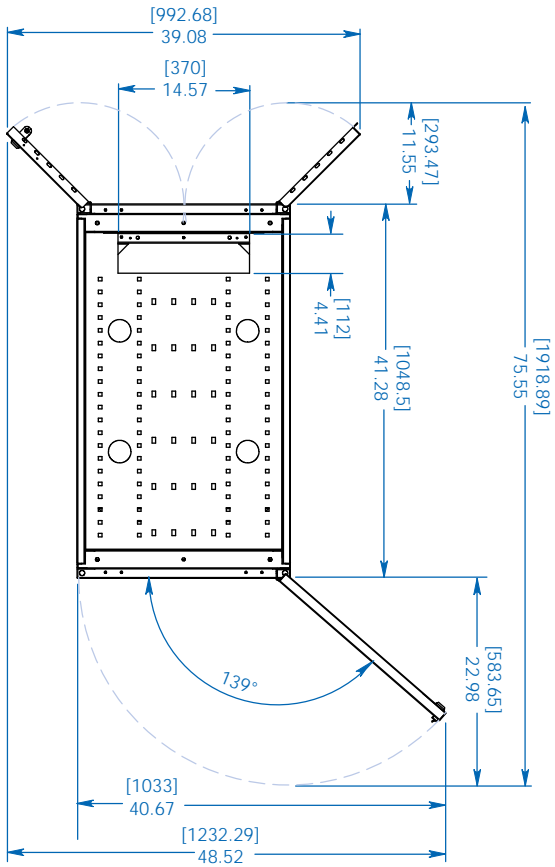
Model	SR2400
Rack Spaces	42U
Stationary Load Capacity	2400 lb. (1089 kg)
Rolling Load Capacity	1600 lb. (726 kg)
Unit Dimensions (H x W x D)	78.4 x 23.6 x 41.3 in. (1991 x 599 x 1049 mm)
Shipping Dimensions (H x W x D)	84.5 x 27.75 x 47 in. (2146 x 705 x 1194 mm)
Unit Weight	265 lb. (120 kg)
Shipping Weight	288 lb. (131 kg)
Standards	Meets EIA/ECA-310-E, RoHS, CE and UL 60950 (Accommodates all standard rack-mount equipment regardless of vendor.)



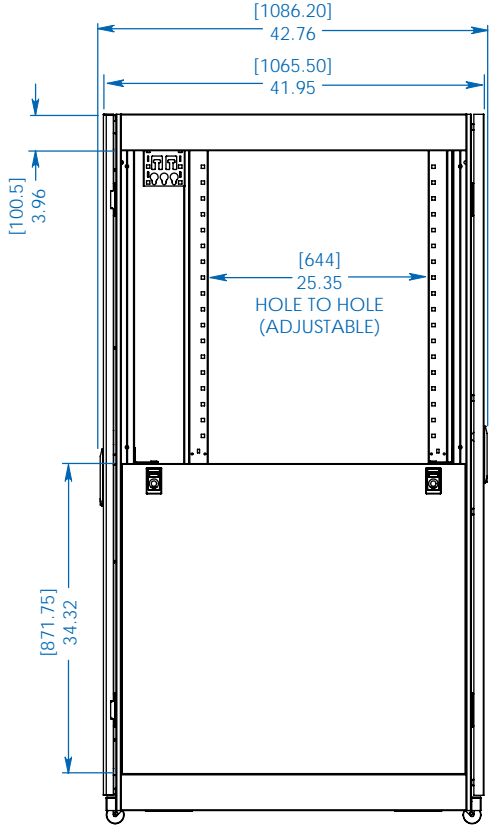
SEE NEXT PAGE FOR DETAILED UNIT MEASUREMENTS



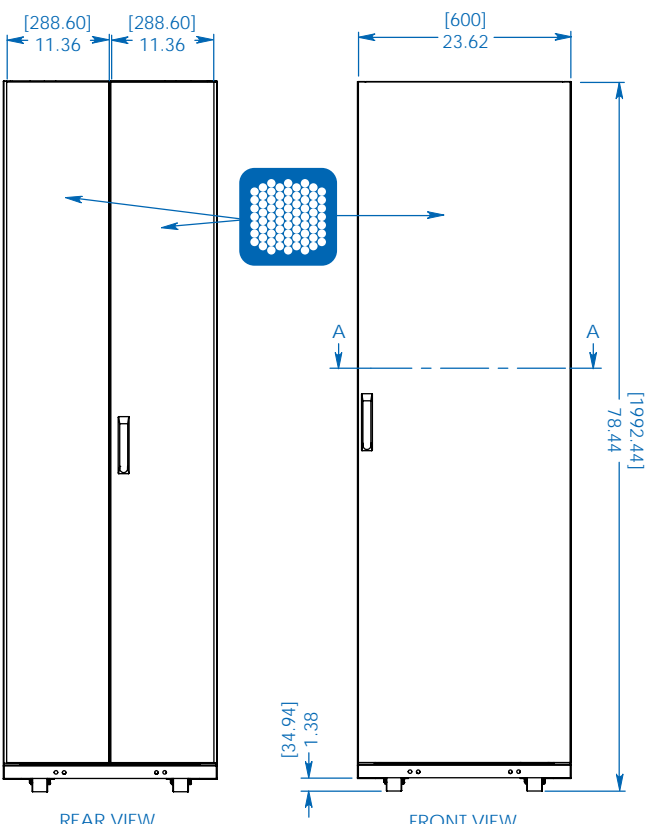
1111 W. 35th Street
Chicago, IL 60609 USA
773.869.1234
www.tripplite.com



TOP VIEW

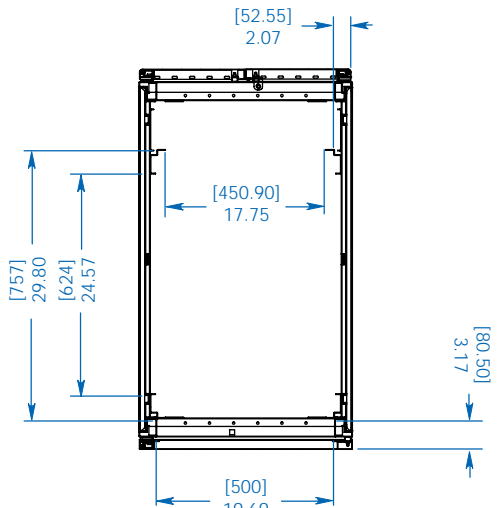


SIDE VIEW



REAR VIEW

FRONT VIEW



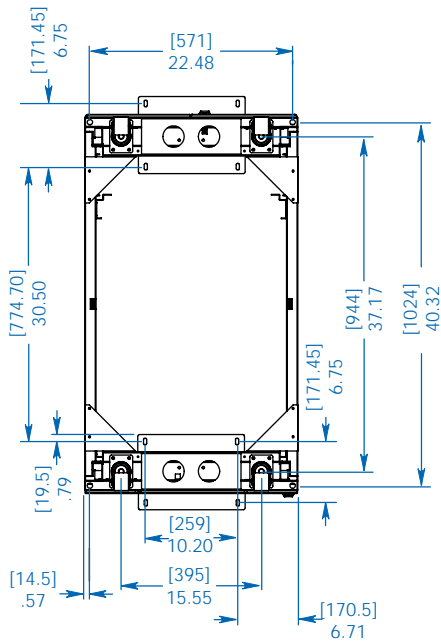
CROSS SECTION A

MODEL:
SR2400

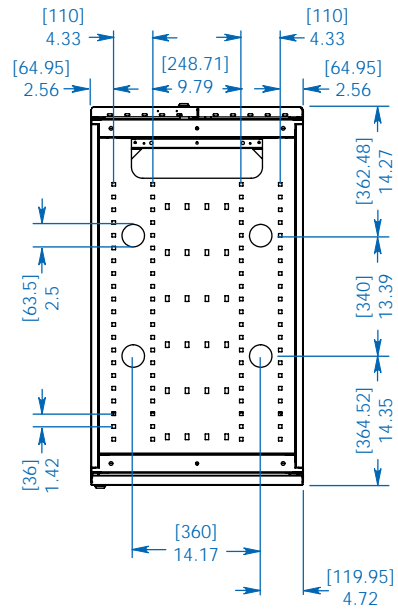


Dimensions: [mm] INCHES

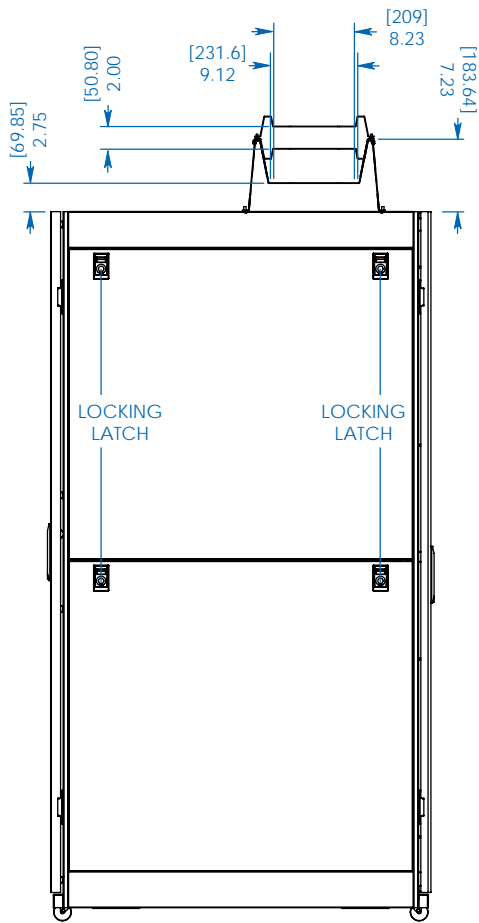
Tripp Lite has a policy of continuous improvement. Specifications are subject to change without notice.



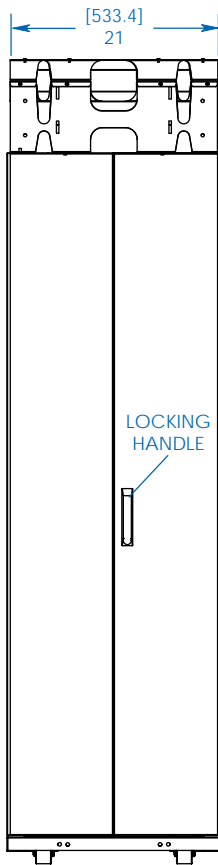
BOTTOM VIEW



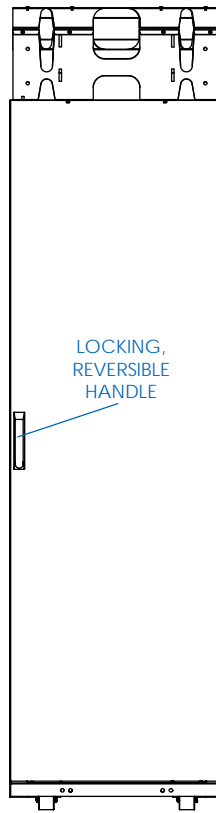
TOP VIEW



SIDE VIEW



REAR VIEW



FRONT VIEW

OPTIONAL SRCABLETRAY AND SRCABLETRAYEXP CABLE MANAGEMENT ACCESSORIES SHOWN (MOUNTING POSITION ADJUSTS TO ACCOMMODATE A WIDE RANGE OF APPLICATIONS)

MODEL:
SR2400



1111 W. 35th Street
Chicago, IL 60609 USA
773.869.1234

www.tripplite.com

Dimensions: [mm] INCHES

Tripp Lite has a policy of continuous improvement. Specifications are subject to change without notice.