

4

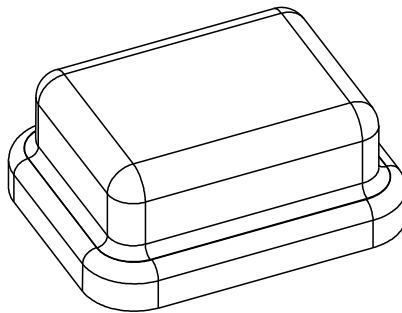
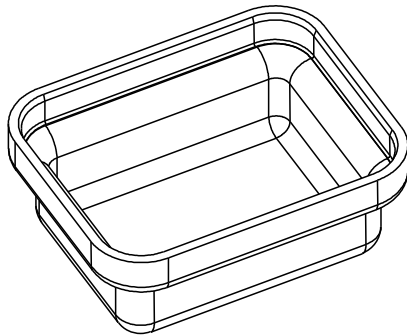
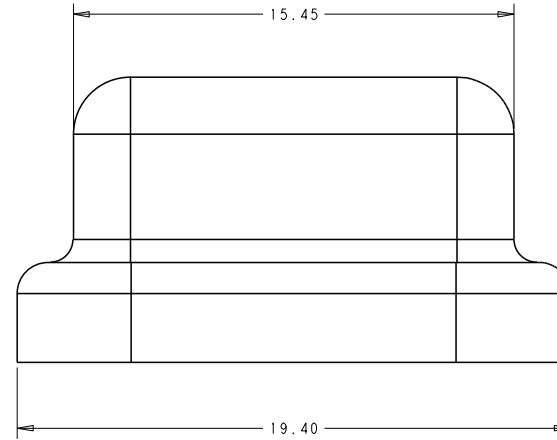
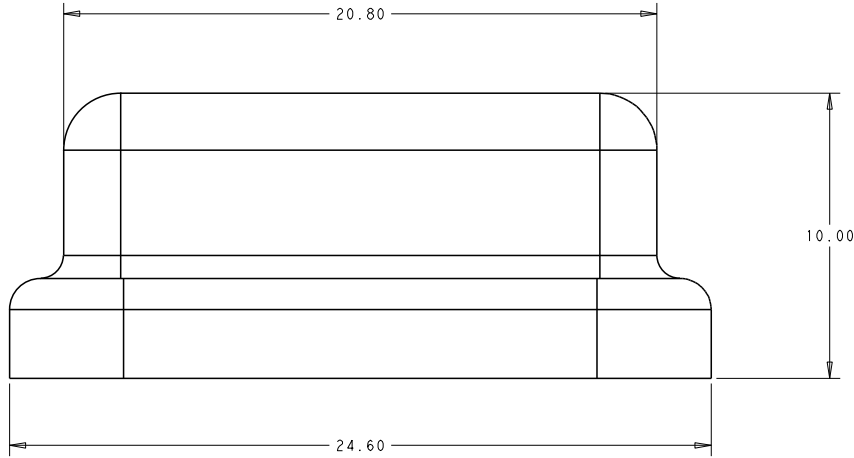
3

2

1

THIS DRAWING IS UNPUBLISHED. RELEASED FOR PUBLICATION 20
 © COPYRIGHT 20 BY - ALL RIGHTS RESERVED.

REVISIONS				
P	LYR	DESCRIPTION	DATE	DWN APVD
A		INITIAL RELEASED	22MAY2015	N.W X.X



NOTES
 △ MATERIAL: FLEXIBLE PVC, COLOR: BLACK.
 △ 2° MAX. DRAFT ANGLE EXCEPT SPECIFIED.
 △ COMPLY WITH DIRECTIVE 2002/95/EC (ROHS)

THIS DRAWING IS A CONTROLLED DOCUMENT.		DWN	NING WANG	22-May-15	P/N		2271267-1			
		CHK	KOBBY ZHAO	22-May-15	TE Connectivity		NAME DUST CAP FOR ENCODER			
		APVD	XIANG XU	22-May-15						
DIMENSIONS:		TOLERANCES UNLESS OTHERWISE SPECIFIED:		PRODUCT SPEC		SIZE		CAGE CODE	DRAWING NO	RESTRICTED TO
mm		0 PLC ±0.5		APPLICATION SPEC		A2		-	©=2271267	-
		1 PLC ±0.3		WEIGHT		1.07g		SCALE		8:1
		2 PLC ±0.3		MATERIAL		PVC		SHEET		1 OF 1
		3 PLC ±0.3		FINISH		-		REV		A
		4 PLC ±0.3		Customer Drawing						
		5 PLC ±0.3								
		6 PLC ±0.3								
		7 PLC ±0.3								
		8 PLC ±0.3								
		9 PLC ±0.3								
		10 PLC ±0.3								
		11 PLC ±0.3								
		12 PLC ±0.3								
		13 PLC ±0.3								
		14 PLC ±0.3								
		15 PLC ±0.3								
		16 PLC ±0.3								
		17 PLC ±0.3								
		18 PLC ±0.3								
		19 PLC ±0.3								
		20 PLC ±0.3								
		21 PLC ±0.3								
		22 PLC ±0.3								
		23 PLC ±0.3								
		24 PLC ±0.3								
		25 PLC ±0.3								
		26 PLC ±0.3								
		27 PLC ±0.3								
		28 PLC ±0.3								
		29 PLC ±0.3								
		30 PLC ±0.3								
		31 PLC ±0.3								
		32 PLC ±0.3								
		33 PLC ±0.3								
		34 PLC ±0.3								
		35 PLC ±0.3								
		36 PLC ±0.3								
		37 PLC ±0.3								
		38 PLC ±0.3								
		39 PLC ±0.3								
		40 PLC ±0.3								
		41 PLC ±0.3								
		42 PLC ±0.3								
		43 PLC ±0.3								
		44 PLC ±0.3								
		45 PLC ±0.3								
		46 PLC ±0.3								
		47 PLC ±0.3								
		48 PLC ±0.3								
		49 PLC ±0.3								
		50 PLC ±0.3								
		51 PLC ±0.3								
		52 PLC ±0.3								
		53 PLC ±0.3								
		54 PLC ±0.3								
		55 PLC ±0.3								
		56 PLC ±0.3								
		57 PLC ±0.3								
		58 PLC ±0.3								
		59 PLC ±0.3								
		60 PLC ±0.3								
		61 PLC ±0.3								
		62 PLC ±0.3								
		63 PLC ±0.3								
		64 PLC ±0.3								
		65 PLC ±0.3								
		66 PLC ±0.3								
		67 PLC ±0.3								
		68 PLC ±0.3								
		69 PLC ±0.3								
		70 PLC ±0.3								
		71 PLC ±0.3								
		72 PLC ±0.3								
		73 PLC ±0.3								
		74 PLC ±0.3								
		75 PLC ±0.3								
		76 PLC ±0.3								
		77 PLC ±0.3								
		78 PLC ±0.3								
		79 PLC ±0.3								
		80 PLC ±0.3								
		81 PLC ±0.3								
		82 PLC ±0.3								
		83 PLC ±0.3								
		84 PLC ±0.3								
		85 PLC ±0.3								
		86 PLC ±0.3								
		87 PLC ±0.3								
		88 PLC ±0.3								
		89 PLC ±0.3								
		90 PLC ±0.3								
		91 PLC ±0.3								
		92 PLC ±0.3								
		93 PLC ±0.3								
		94 PLC ±0.3								
		95 PLC ±0.3								
		96 PLC ±0.3								
		97 PLC ±0.3								
		98 PLC ±0.3								
		99 PLC ±0.3								
		100 PLC ±0.3								