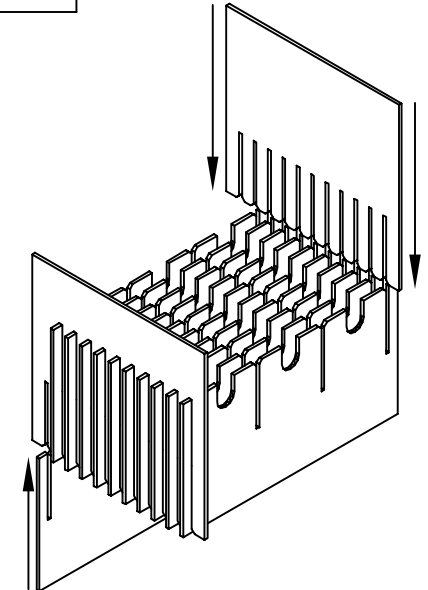
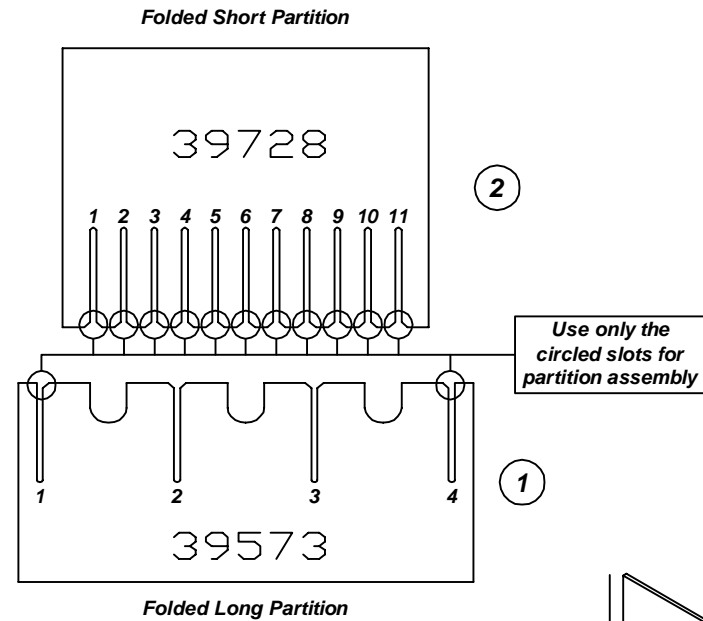
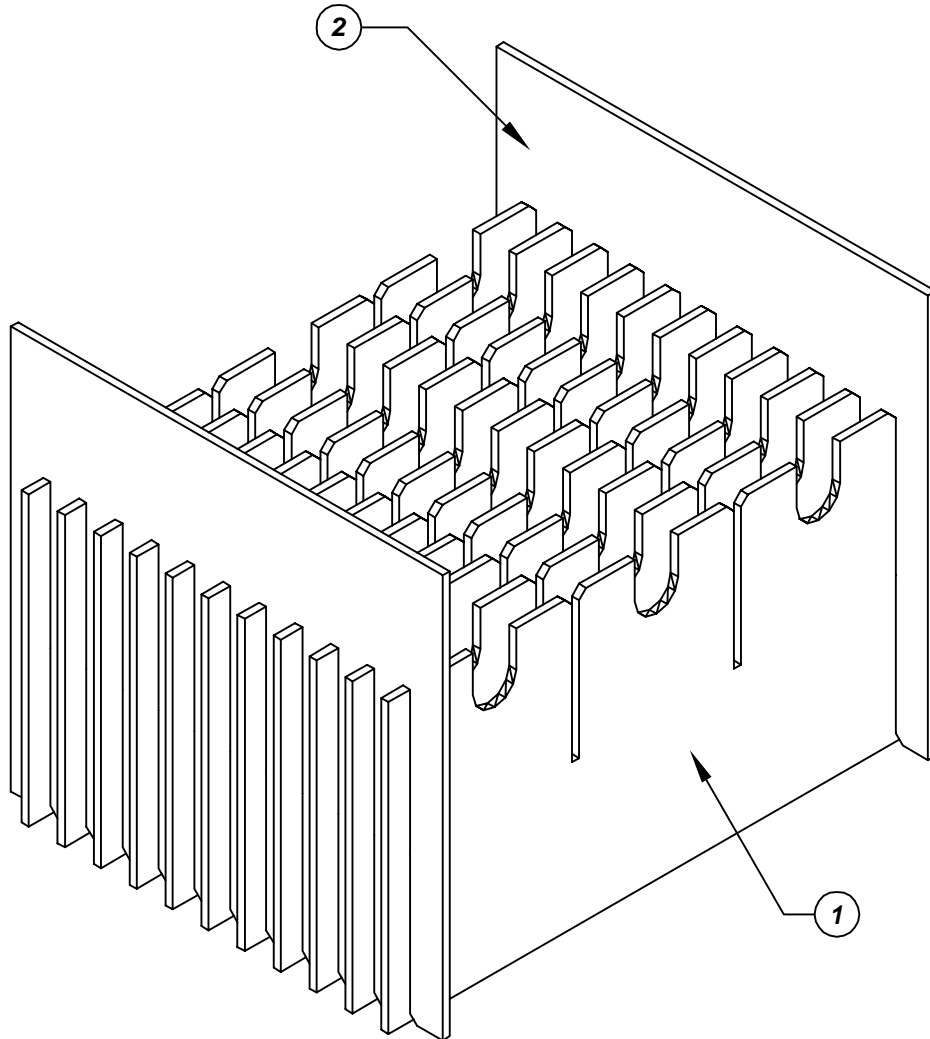


Assembly Instructions for - 37381



Made in America

F/N ①	Part # 39573	Dimensions: 20-1/4" x 18-5/8"	Description: 460-LP-10/30 Long Partition	Qty: 11
F/N ②	Part # 39728	Dimensions: 28-1/4" x 15"	Description: 464-SP-12 Short Partition	Qty: 2

37381 - 12 Cell Inplant Handler Cell Size - 14" x 16-5/8" x 1"

Notes:
For use with the following storage container & lid:
37526 - Storage Container
37554 - Lid

PROTEKTIVE PAK
13520 MONTE VISTA AVENUE, CHINO, CA 91710
PHONE (909) 627-2578, FAX (909) 363-7331
ProtektivePak.com



DRAWING NUMBER
IPH-37381

DATE
Dec. 2007