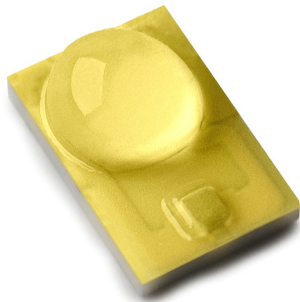




# LUXEON R

High flux for outdoor applications



LUXEON R is hot tested and falls within a single 5-step MacAdam ellipse centered in ANSI defined standard color spaces. With *Freedom from Binning*, luminaire manufacturers can be confident in color consistency from LED to LED. The superior quality of light, volume of lumens, and real world efficacy enable leading performance and efficient solution development in outdoor and industrial lighting applications.

## FEATURES AND BENEFITS

- 5-step MacAdam ellipse: *Freedom from Binning* for superior quality of light
- Identical footprint to LUXEON Rebel family and ecosystem for compatibility with existing designs
- Hot tested at real world conditions which leads to better color accuracy
- 70CRI minimum and a full range of CCTs

## PRIMARY APPLICATIONS

- High Bay & Low Bay
- Outdoor

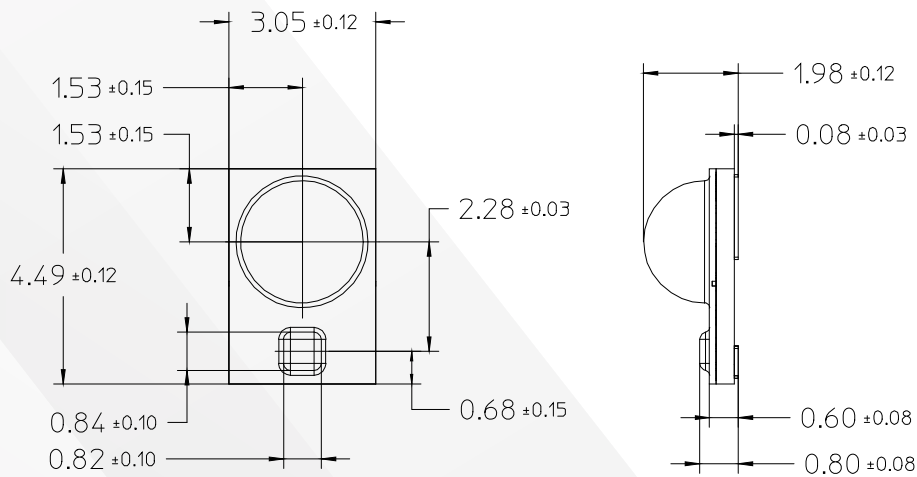
LUXEON R product performance at 700mA and 350mA, T<sub>j</sub>=85°C.

NOMINAL CCT <sup>(1)</sup>	MINIMUM CRI <sup>(2)</sup>	LUMINOUS FLUX <sup>(3)</sup> (lm)		TYPICAL LUMINOUS EFFICACY (lm/W)	TYPICAL LUMINOUS FLUX (lm)	TYPICAL LUMINOUS EFFICACY (lm/W)	PART NUMBER
		MINIMUM	TYPICAL				
		700mA					
3000K	70	160	230	99	127	133	LXA7-PW30
4000K	70	200	250	108	135	142	LXA7-PW40
5000K	70	200	260	109	140	146	LXA7-PW50
5700K	70	200	260	114	140	148	LXA7-PW57
6500K	70	200	260	114	140	150	LXA7-PW65

Notes:

1. Correlated color temperature is based upon mounted die on highly reflective surface at T<sub>j</sub>=25°C.
2. Typical CRI is 2% increase of the CRI minimum, but not guaranteed.
3. Lumileds maintains a tolerance of ±6.5% on flux measurements.

Mechanical Dimensions.



Notes:

1. Drawings are not scale.
2. All dimensions are in millimeters.