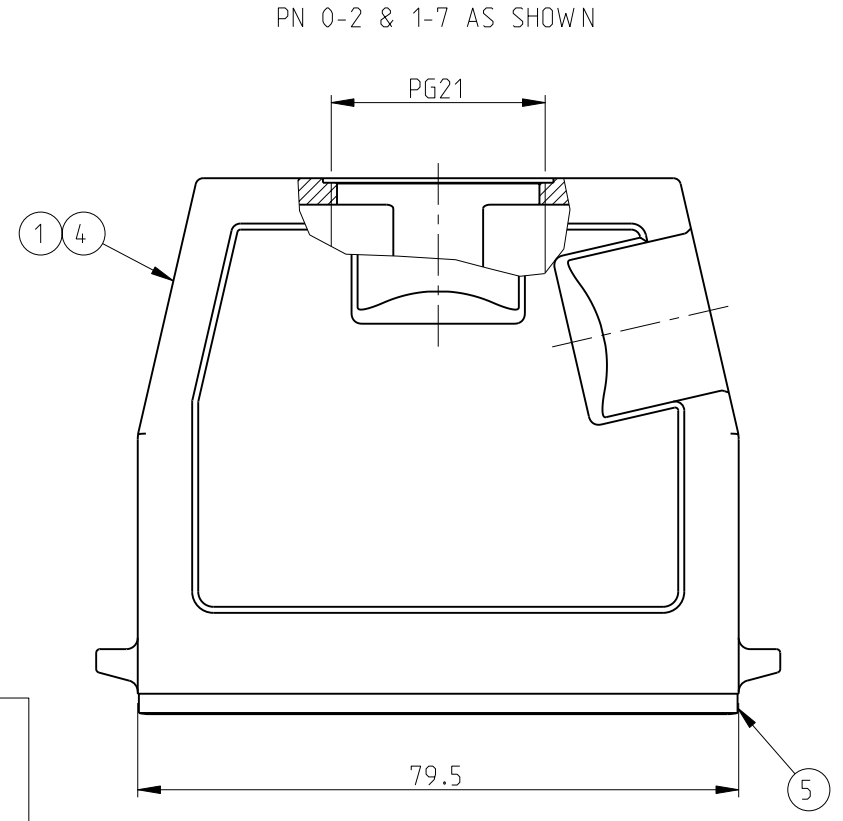
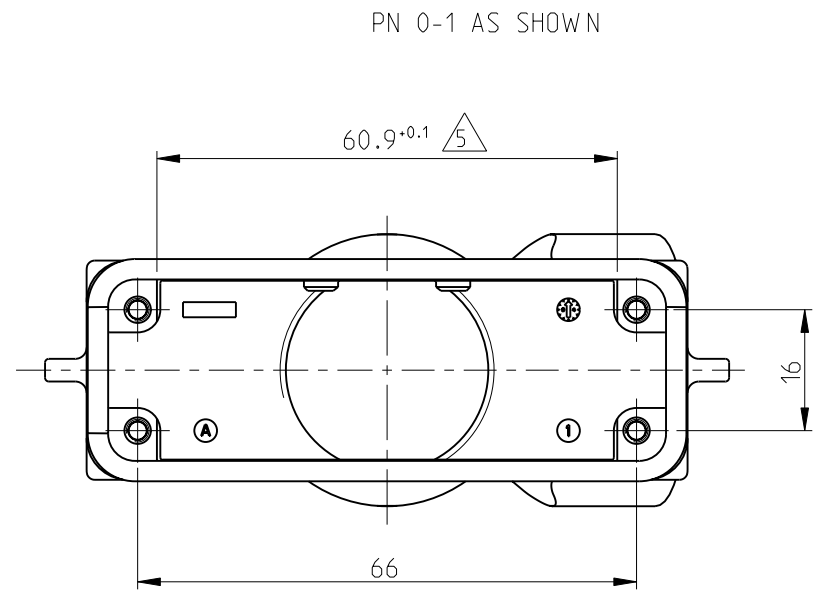
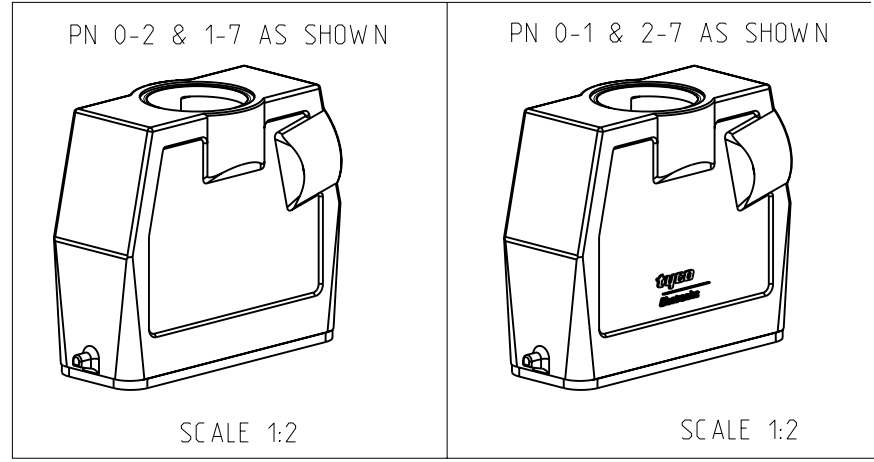
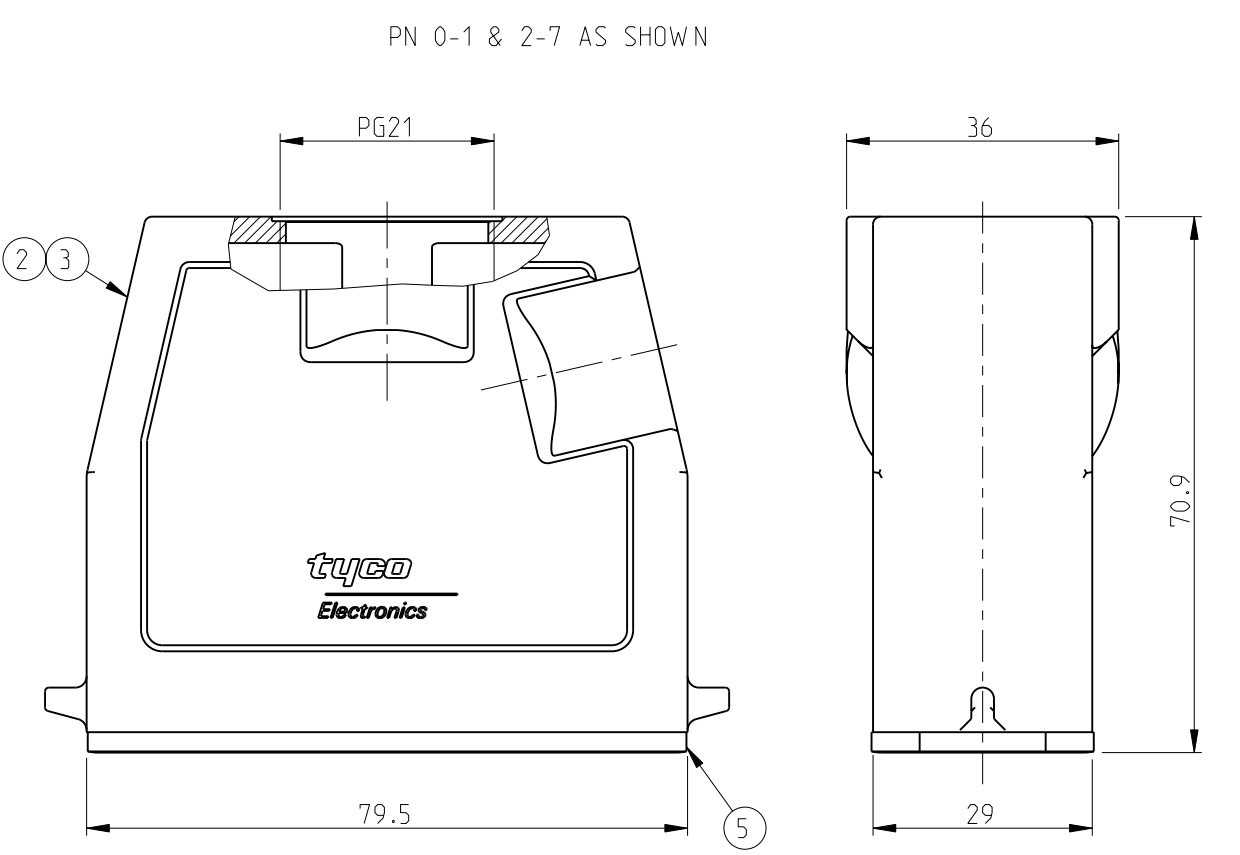


THIS DRAWING IS UNPUBLISHED. RELEASED FOR PUBLICATION 2000
 © COPYRIGHT 2000 BY TYCO ELECTRONICS CORPORATION. ALL RIGHTS RESERVED.

| LOC | DIST | REVISIONS | | | |
|-----|------|-------------|-------------------------------|-----------|-------|
| P | LTR | DESCRIPTION | DATE | DWN | APVD |
| A1 | - | B2 | RELEASED AS PER ECR 09-005170 | 05-MAR-09 | GG TS |



- NOTES:
- 1 PACKAGING QUANTITY: 5 PIECES PER BOX
 - △ MATERIAL: SEE TABLE
 - △ COLOR: SEE TABLE
 - 4 VARNISH ON THE INSIDE NOT NECESSARY
 - △ MILLED PLATFORM TO MEASURE 60.9 +0.1 (20mm DEEP) AND WITHOUT INSULATING TAPE



| 1 | 2 | 3 | 4 | DESCRIPTION | MATERIAL | SURFACE | COLOR | ITEM NO | REMARKS |
|---|---|---|---|-------------------------|-----------|-----------------|-------|---------|---------|
| 1 | 1 | 1 | 1 | PROFILE SEAL | NEOPRENE | | BLACK | 5 | |
| - | - | 1 | - | HOOD HD.25-PG THREADS | ALUMINIUM | NEUTRAL | GREY | 4 | |
| - | - | - | 1 | HOOD HD-K.25-PG THREADS | ALUMINIUM | ALUMINIUM OXIDE | BLACK | 3 | △ |
| 1 | - | - | - | HOOD HD-K.25-PG THREADS | ALUMINIUM | ALUMINIUM OXIDE | BLACK | 2 | |
| - | 1 | - | - | HOOD HD.25-PG THREADS | ALUMINIUM | | GREY | 1 | |

ORDERING TEXT
 HD-K.25.ST0.1.21.G △
 HD.25.ST0.1.21.G
 HD-K.25.ST0.1.21.G

| | | | | | | | |
|------------------------|--|---|--|--|--|---|--|
| DIMENSIONS: mm | | TOLERANCES UNLESS OTHERWISE SPECIFIED: 0 PLC ± 1 PLC ± 2 PLC ± 3 PLC ± 4 PLC ± ANGLES ± FINISH △ | | DWN S.KUMAR 4/20/2006 CHK P.BENNUR 4/20/2006 APVD T.SCHNURPFEL 4/20/2006 PRODUCT SPEC 108-74009 APPLICATION SPEC 114-74001 WEIGHT - | | Tyco Electronics AMP GmbH 53757,SanktAugustin,Germany NAME HOOD HD25.ST0.1.21.G SIZE A3 CAGE CODE 00779 DRAWING NO C-1102539 RESTRICTED TO - | |
| MATERIAL △ FINISH △ | | | | CUSTOMER DRAWING SCALE 1:1 SHEET 1 OF 1 REV B2 | | | |