

4

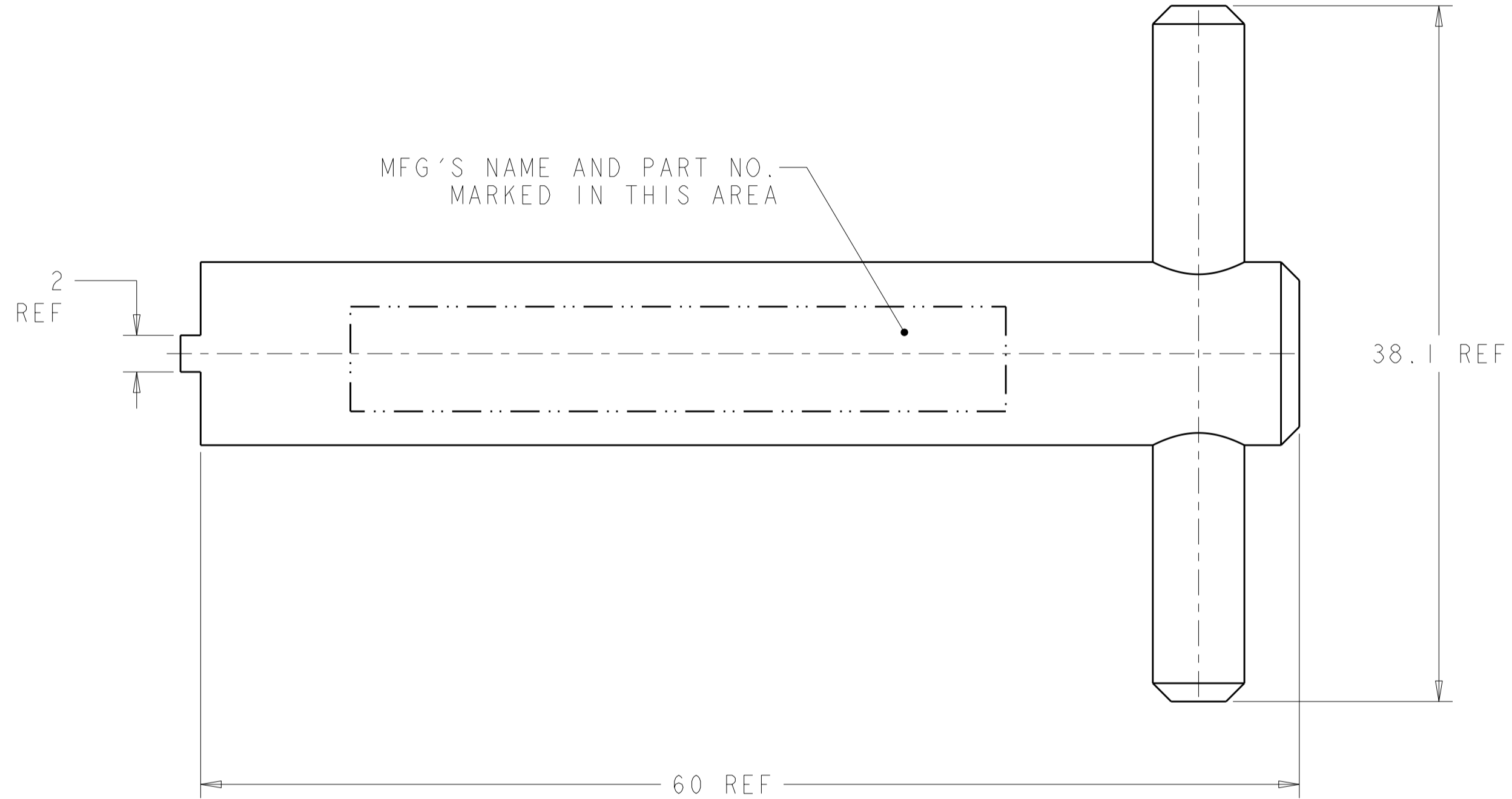
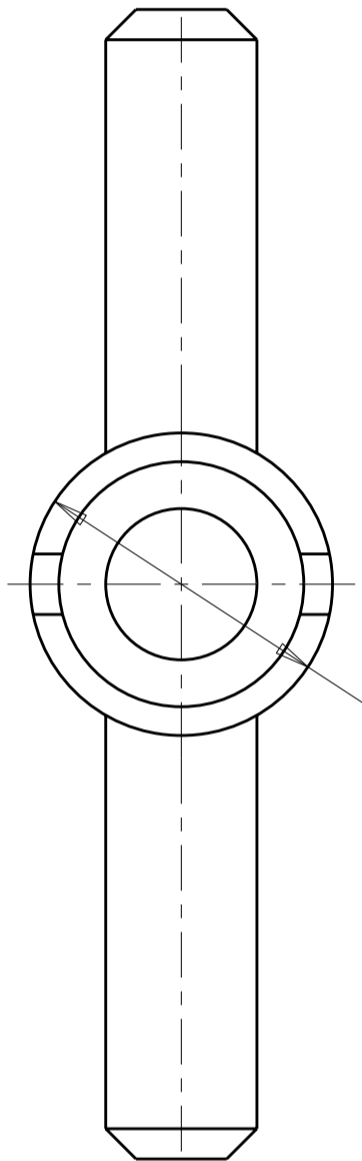
3

2

1

THIS DRAWING IS UNPUBLISHED. RELEASED FOR PUBLICATION
 © COPYRIGHT BY TYCO ELECTRONICS CORPORATION. ALL RIGHTS RESERVED.

LOC	DIST	REVISIONS			
P	LTR	DESCRIPTION	DATE	DWN	APVD
-	-	A	RELEASED PER ECO 10-026167	1-23-11	CT BW



- MAT'L: STAINLESS STEEL.
- THIS PRODUCT IS SOLD BY TYCO ELECTRONICS UNDER A LICENSE FROM RADIAL SA.

1738221-1
PART NUMBER

THIS DRAWING IS A CONTROLLED DOCUMENT FOR TYCO ELECTRONICS CORPORATION. IT IS SUBJECT TO CHANGE AND THE CONTROLLING ENGINEERING ORGANIZATION SHOULD BE CONTACTED FOR THE LATEST REVISION.		DWN CJV	03NOV2005	Tyco Electronics Harrisburg, PA 17105-3608
DIMENSIONS:		CHK JPM	03NOV2005	
mm		APVD JPM	03NOV2005	
TOLERANCES UNLESS OTHERWISE SPECIFIED:		PRODUCT SPEC		NAME SPIGOT WRENCH FOR LOCKING DEVICE
0 PLC	±	APPLICATION SPEC		SIZE
1 PLC	±0.5	WEIGHT		CAGE CODE
2 PLC	±0.13	CUSTOMER DRAWING		DRAWING NO
3 PLC	±0.013	SCALE 4:1		RESTRICTED TO
4 PLC	±0.0001	SHEET 1 OF 1		REV A
ANGLES	±	REV A		
FINISH				