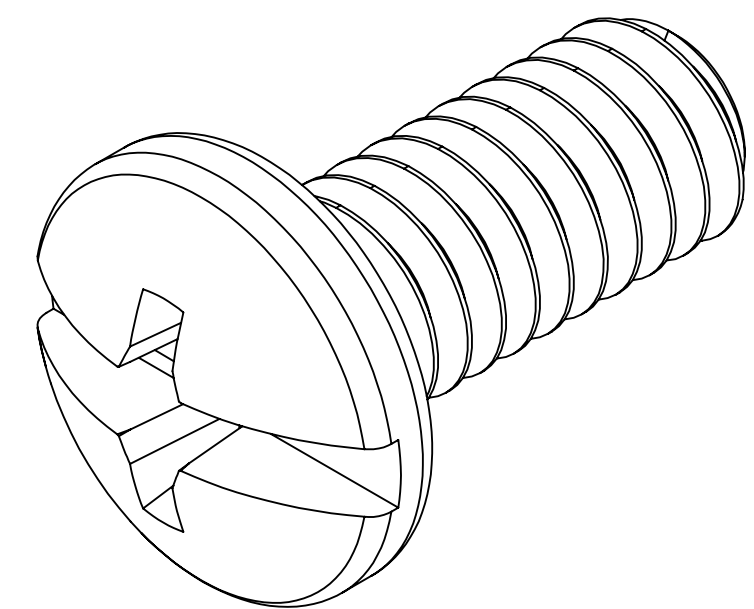
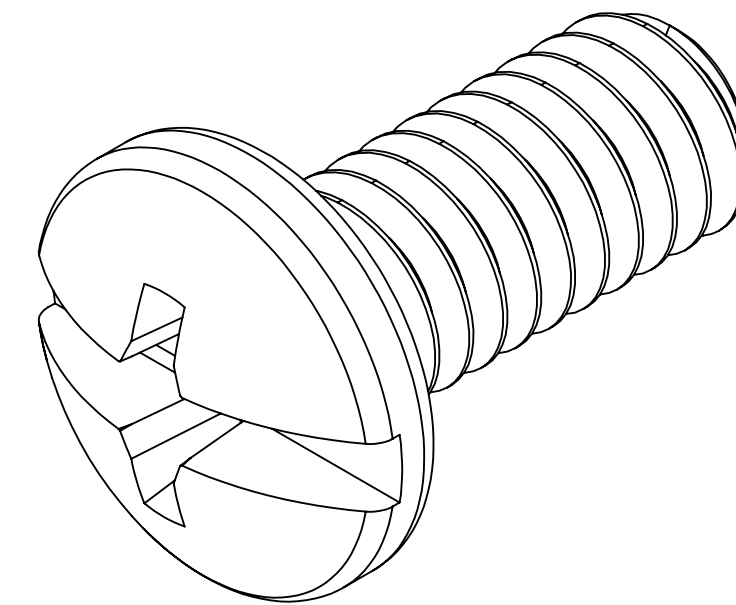
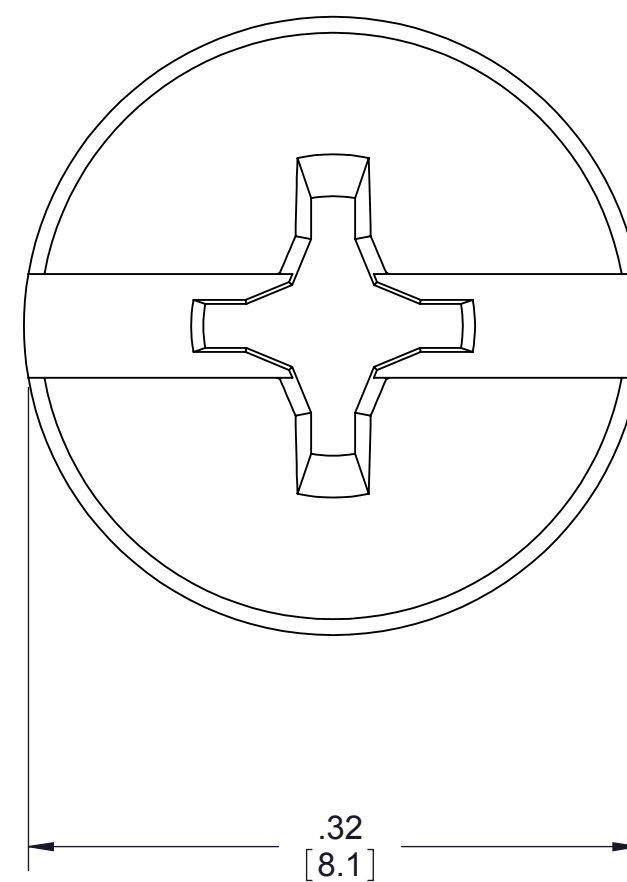
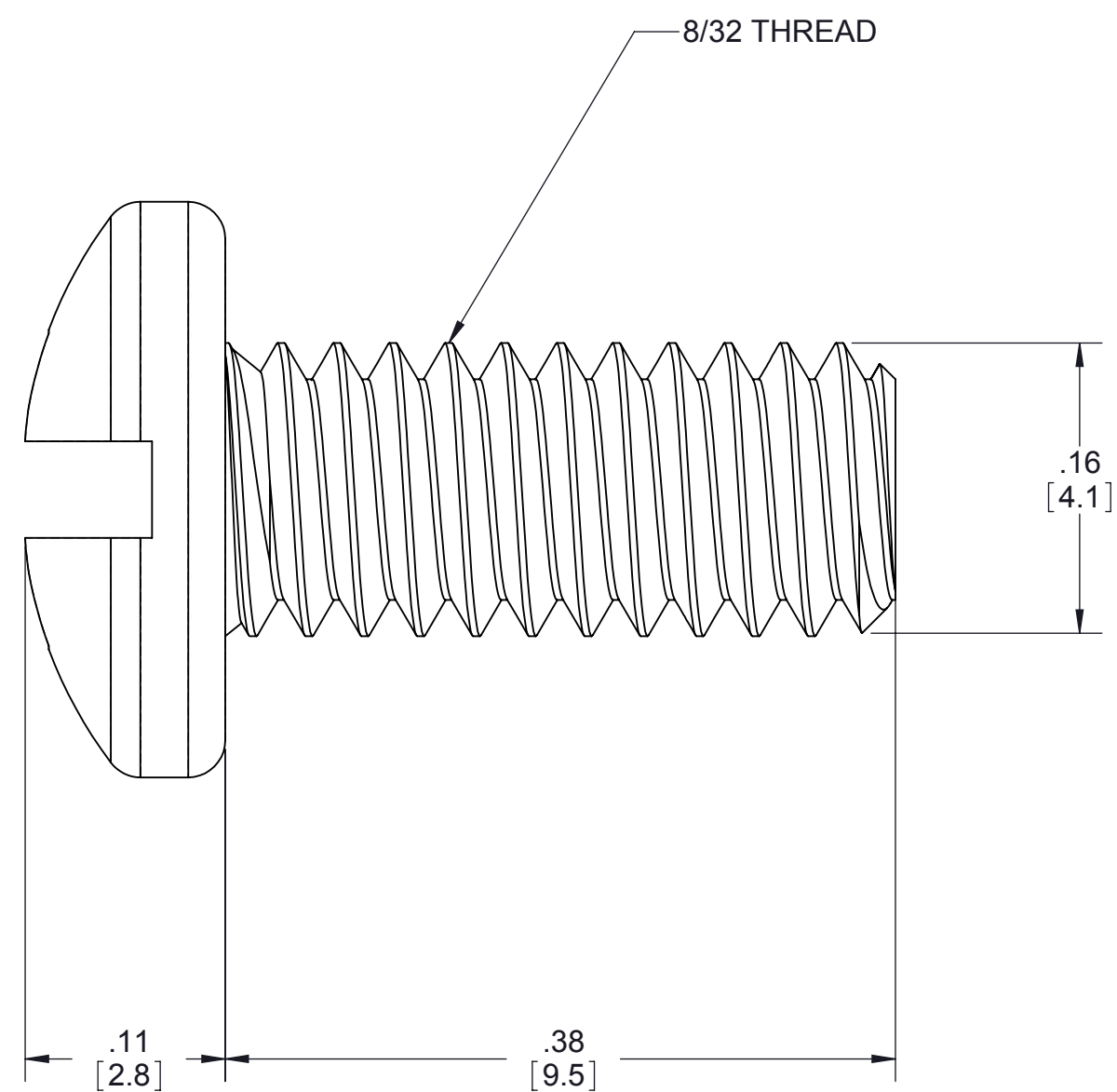


HK1 2 SSR MOUNTING SCREWS



Tolerances: ± 0.02 in / 0.5 mm. All dimensions are in: inches [millimeters]