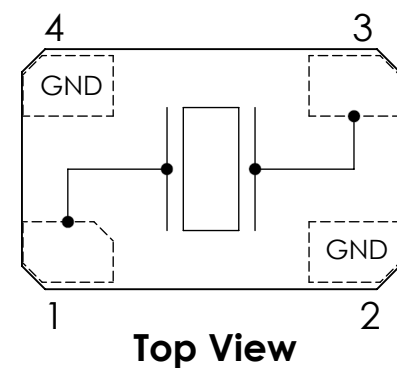
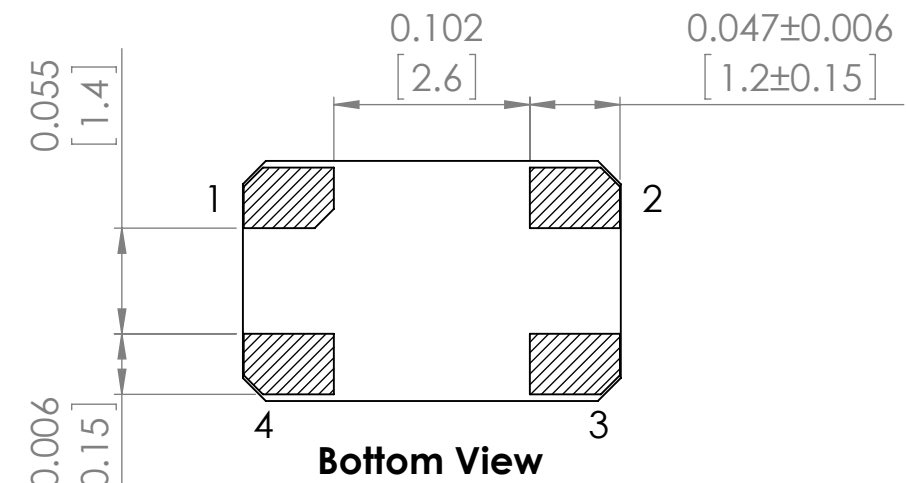
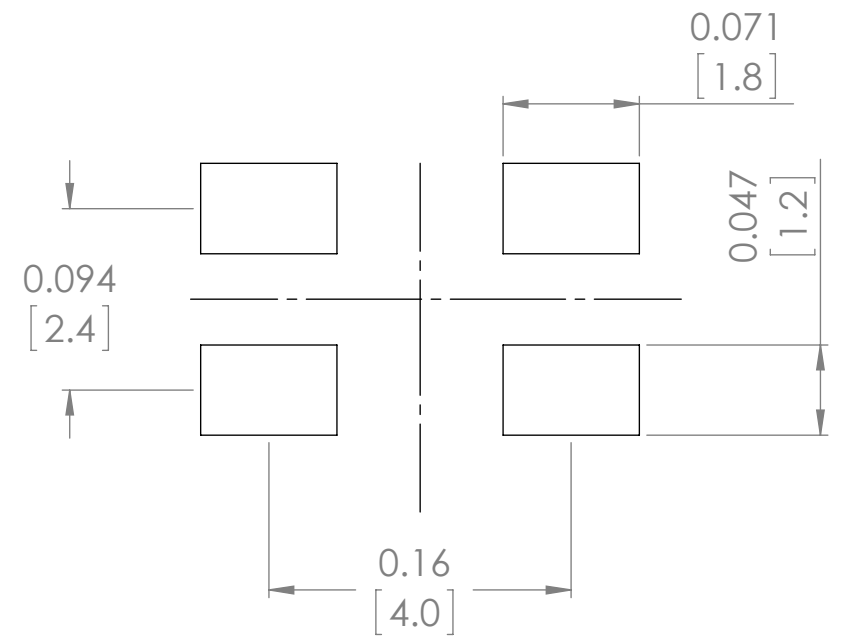
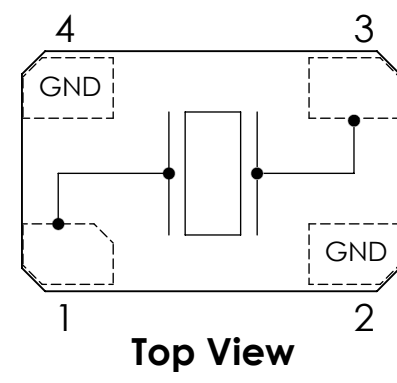
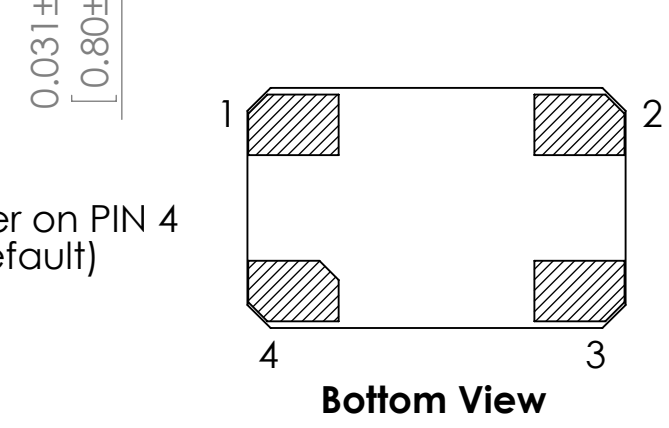


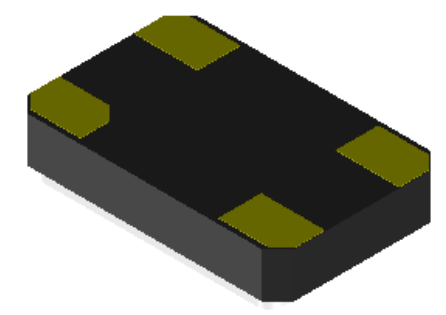
Recommended Land Pattern



Chamfer on PIN 1
(Default)



Chamfer on PIN 4
(See Note)



TOP PACKAGE MARKING IS FOR ILLUSTRATION PURPOSES ONLY

Chamfer on PIN 4
(Default)

Height (mm)		Chamfer PIN #
ABM3B	1.1mm max	#1 (Default), #4 (SEE NOTE)
ABM3B1	0.8mm max	#1 (Default), #4 (SEE NOTE)

Note:
Due to the availability of raw materials, this part may be manufactured with the chamfer on pin 4. Be advised that this does not affect the electrical characteristics of crystal in any way.

UNLESS OTHERWISE SPECIFIED: DIMENSIONS ARE IN INCH(MM) SURFACE FINISH: TOLERANCES: LINEAR: ANGULAR:				FINISH:		DEBUR AND BREAK SHARP EDGES		DO NOT SCALE DRAWING		REVISION -	
DRAWN SAAZVAT				SIGNATURE		DATE					
CHK'D XXXXXX								30332 Esperanza, Rancho Santa margarita, California 92688			
APPV'D								TITLE: CERAMIC SMD CRYSTAL			
MFG								DWG NO.		A3	
Q.A						MATERIAL: Quartz		SCALE:10:1		SHEET 1 OF 1	
						WEIGHT: 0.00					