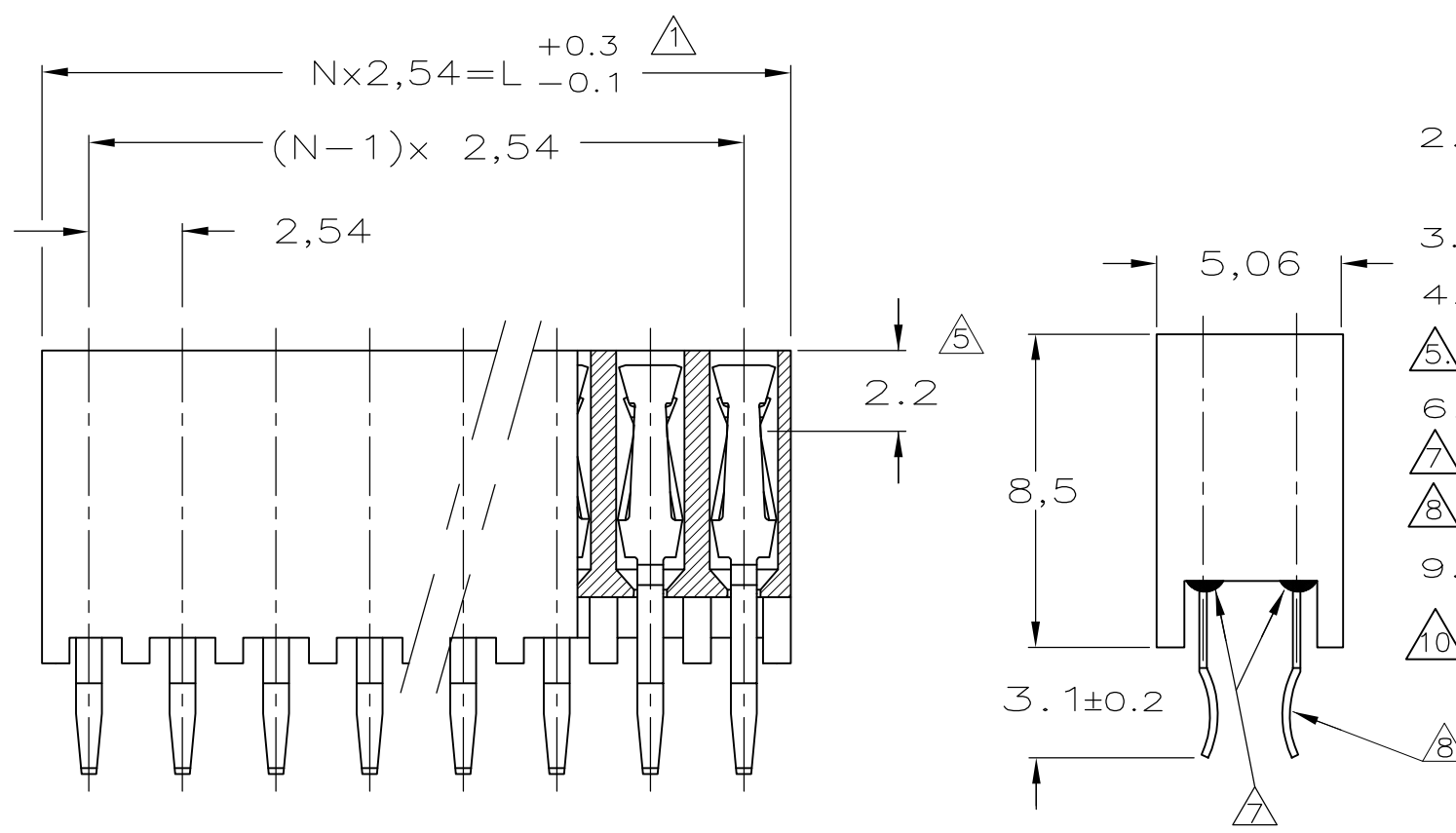


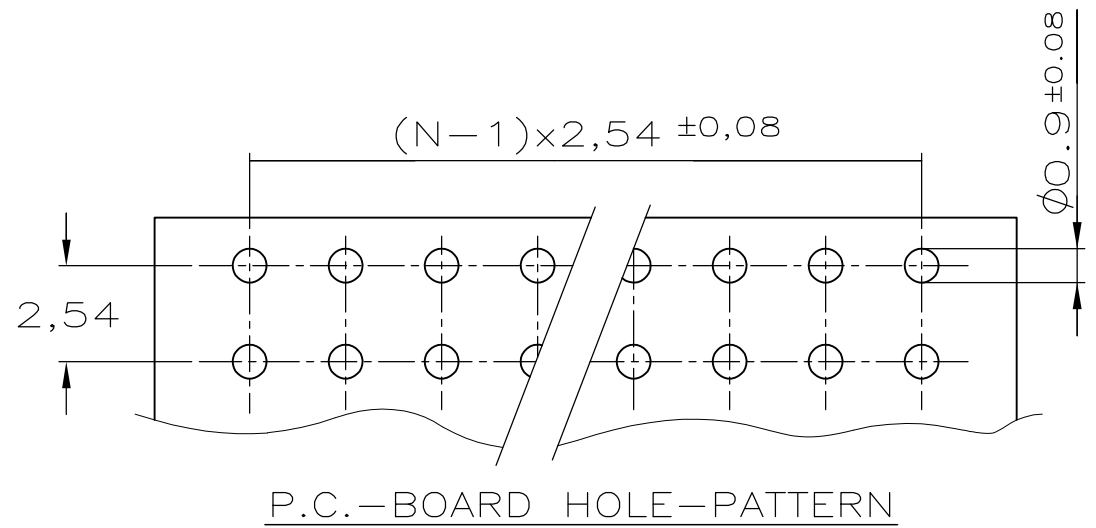
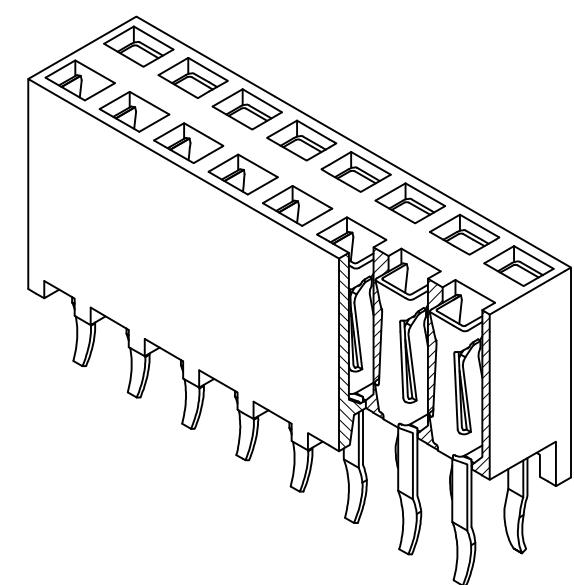
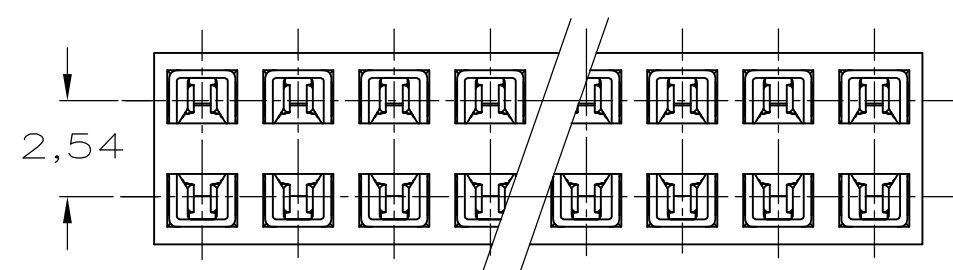
THIS DRAWING IS UNPUBLISHED. RELEASED FOR PUBLICATION
 © COPYRIGHT - By - ALL RIGHTS RESERVED.

LOC	DIST	REVISIONS					
		P	LTR	DESCRIPTION	DATE	DWN	APVD
-	-	E		END STAND OFF WIDTH INCREASED	06JAN2016	KJK	PS

POS. PER ROW 'N'	L	PART NUMBER		
-	-	-	-	
2	5.08	215314-2		
3	7.62		-3	
4	10.16		-4	
5	12.70		-5	
6	15.24		-6	
7	17.78		-7	
8	20.32		-8	
9	22.86		-9	
10	25.40	1-	-0	
11	27.94	1-	-1	
12	30.48	1-	-2	
13	33.02	1-	-3	
14	35.56	1-	-4	
15	38.10	1-	-5	
16	40.64	1-	-6	
17	43.18	1-	-7	
18	45.72	1-	-8	
19	48.26	1-	-9	
20	50.80	2-	-0	
21	53.34	2-	-1	OBSOLETE
22	55.88	2-	-2	OBSOLETE
23	58.42	2-	-3	OBSOLETE
24	60.96	2-	-4	OBSOLETE
25	63.50	2-	-5	OBSOLETE
26	66.04	2-	-6	OBSOLETE
27	68.58	2-	-7	OBSOLETE
28	71.12	2-	-8	OBSOLETE
29	73.66	2-	-9	OBSOLETE
30	76.20	3-	-0	OBSOLETE
31	78.74	3-	-1	OBSOLETE
32	81.28	3-	-2	OBSOLETE
33	83.82	3-	-3	OBSOLETE
34	86.36	3-	-4	OBSOLETE
35	88.90	3-	-5	OBSOLETE
36	91.44	3- 215314	-6	OBSOLETE



- NOTES:**
- $\triangle 1$ TO DETERMINE DIMENSIONS TAKE $2 \times N = \text{NR. OF POS.}$.
 FOR EXAMPLE: $2 \times 10 \text{ POS.} : N \times 2,54 = 25,4 \text{ mm}$
 FOR ORDERNR. USE BASIC NR. + NR. OF POS.
 FOR EXAMPLE: $2 \times 2 \text{ POS.} = 215\ 314-2$ (SHORTEST VERSION)
 $2 \times 36 \text{ POS.} = 3-215\ 314-6$ (LONGEST VERSION)
 - HOUSING MATERIAL: GREEN GLASS FILLED PBT, UL 94V-0
 CONTACT MATERIAL: PHOSPHOR BRONZE.
 - PLATING: $2.5 - 4.0 \mu\text{m}$ TIN OVER $0.5 \mu\text{m}$ NICKEL
 - MATES WITH 0,63 SQUARE/ROUND MODU POSTS.
 - $\triangle 5$ CONTACT-POINT.
 - RECOMMENDED P.C.BOARD-THICKNESS: 1.6 mm
 - $\triangle 7$ HIGH TEMPERATURE SEALANT.
 - $\triangle 8$ PC-BOARD RETENTION FEATURE.
 - HV100 CONNECTOR PACKED IN ANTI-STATIC BLISTER TRAY
 - $\triangle 10$ OBSOLETE PARTS: OBSOLETE CIS STREAMLINING PER D.RENAUD/D.SINISI



THIS DRAWING IS A CONTROLLED DOCUMENT.		DWN	20.05.86		STE TE Connectivity
		CHK	L.V.D.HEYDEN		
		APVD	W.SIMONS		
		PRODUCT SPEC	L.V. SOEST		
DIMENSIONS: mm		TOLERANCES UNLESS OTHERWISE SPECIFIED: ± 0.15		NAME	
		0 PLC	$\pm -$		108-19056
		1 PLC	$\pm -$		
		2 PLC	$\pm -$		
		3 PLC	$\pm -$		
MATERIAL		FINISH		APPLICATION SPEC	
SEE NOTE 2		SEE NOTE 3		-	
		WEIGHT		-	
		CUSTOMER DRAWING		SCALE 5:1	
		SIZE		CAGE CODE	
		A3		00779	
		DRAWING NO		RESTRICTED TO	
		C-215314		-	
		SHEET		REV	
		1 OF 1		E	