

5

4

3

2

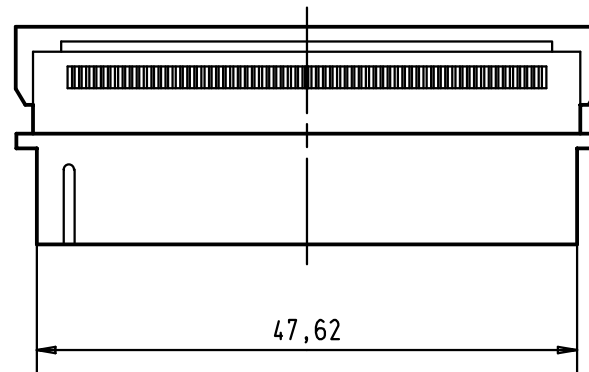
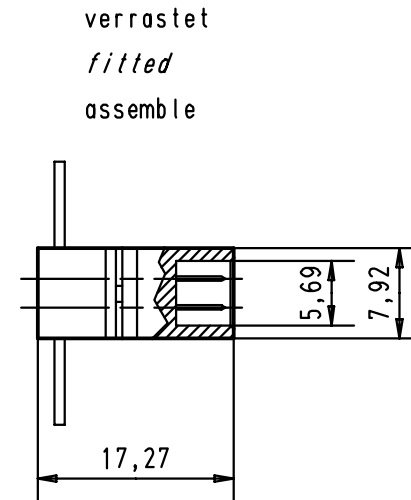
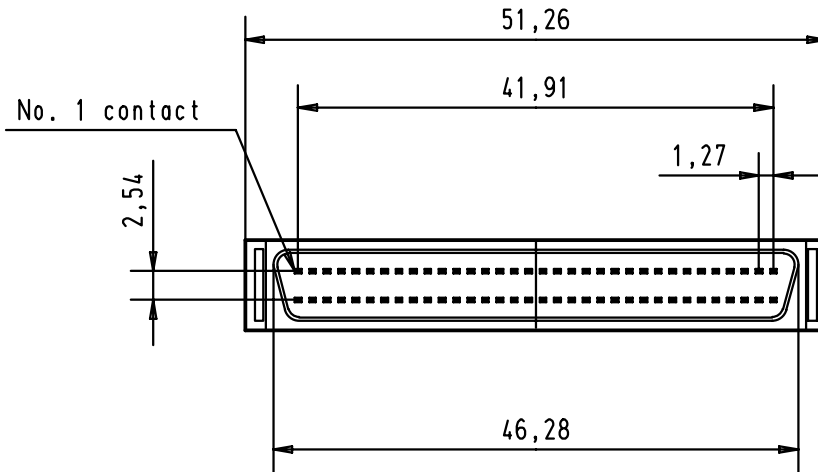
1



D

C

B

A



				Dat.	Name	 All Dim. in mm Orig. Size DIN A 4	har.mik® Intra cabinet Pin/Socket SCSI 2 - SCSI 3 68 poles IDC male connector	Maßstab/ Scale 1,5:1
			Detail.	30-AUG-00	Alspace			
			Insp.					
			Stand.					
29703	26-JUL-01	S G	HARTING EURL				TB 60 06 068 5440	Blatt/ Page 1 / 1
27941	30-AUG-00	Alspace	F-95972 Paris					
Mod.	Dat.	Name						