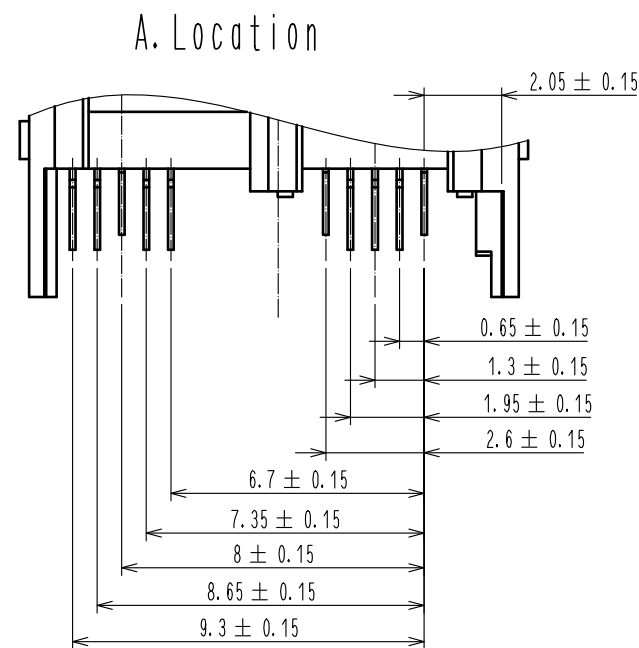
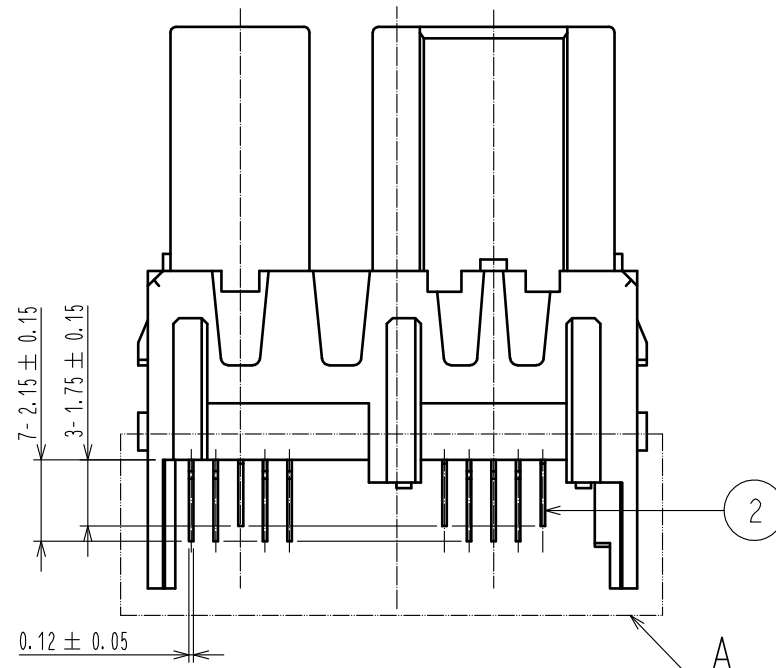
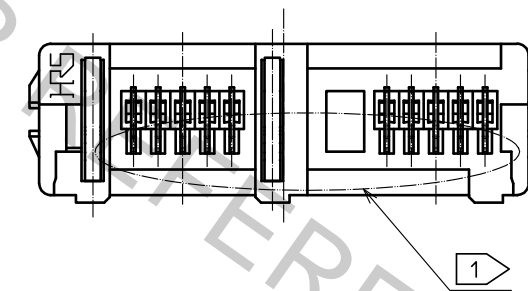
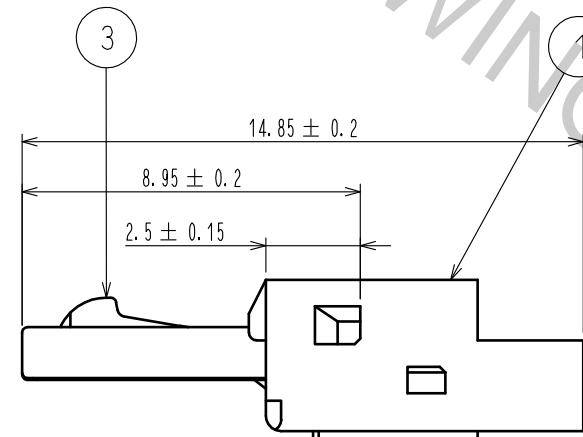
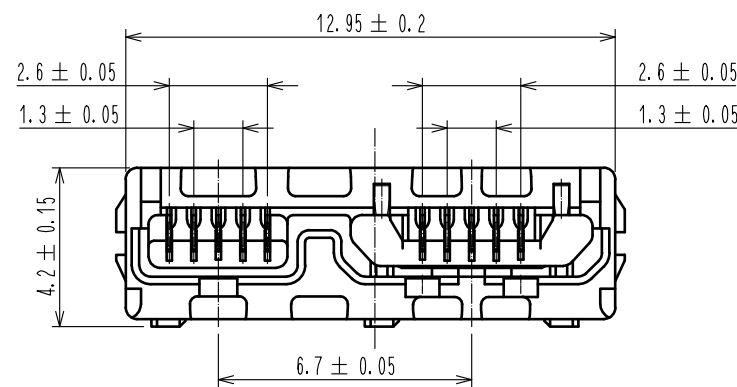
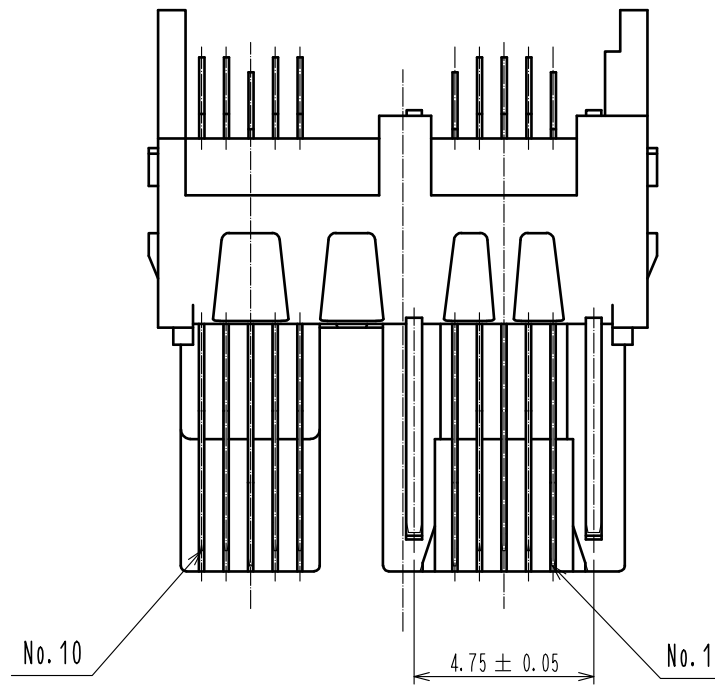
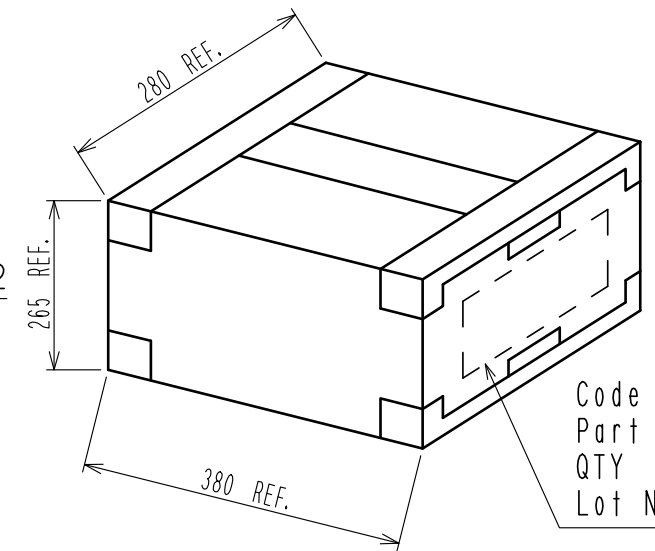
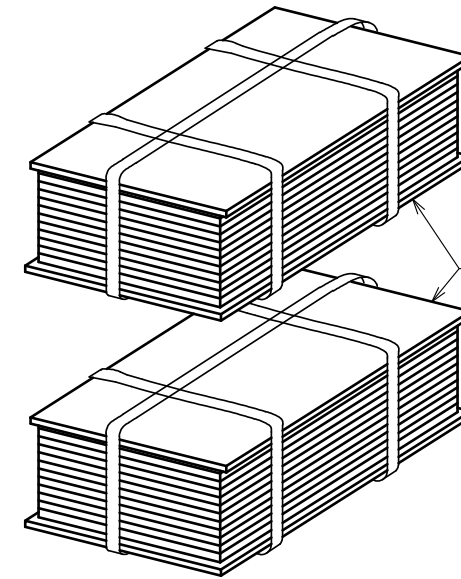
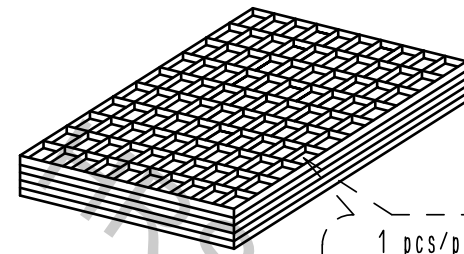


### Fig-1 PACKING SPECIFICATION -IN THE CASE OF 2000 pcs-(FREE)

2. BIND THE TRAYS WITH CONNECTOR UNITS AS SHOWN BELOW.

3. SET THE TRAYS INSIDE THE CARDBOARD BOX.

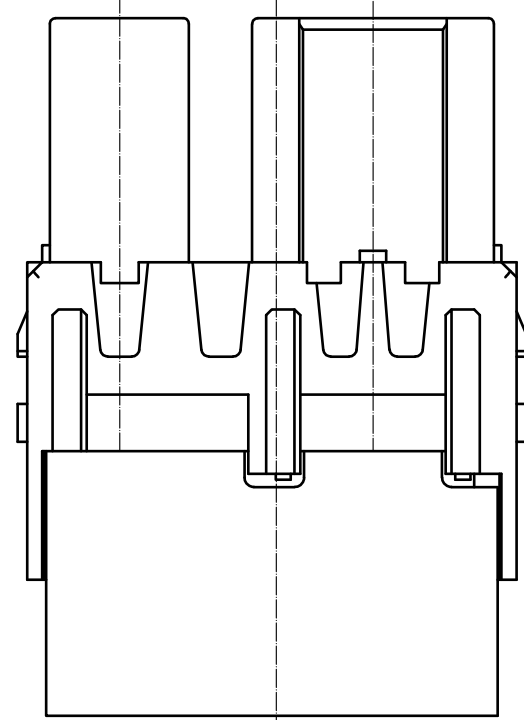
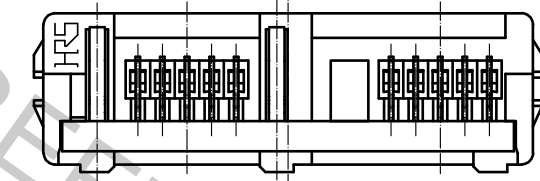
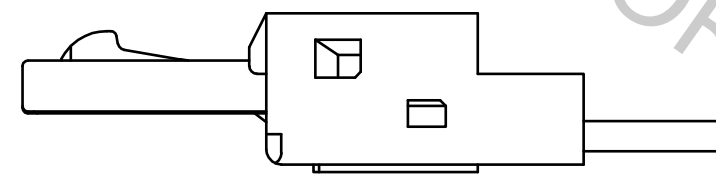
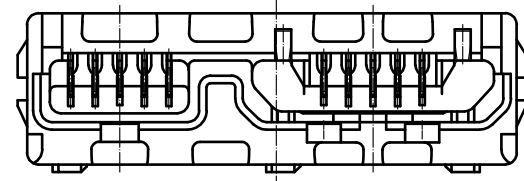
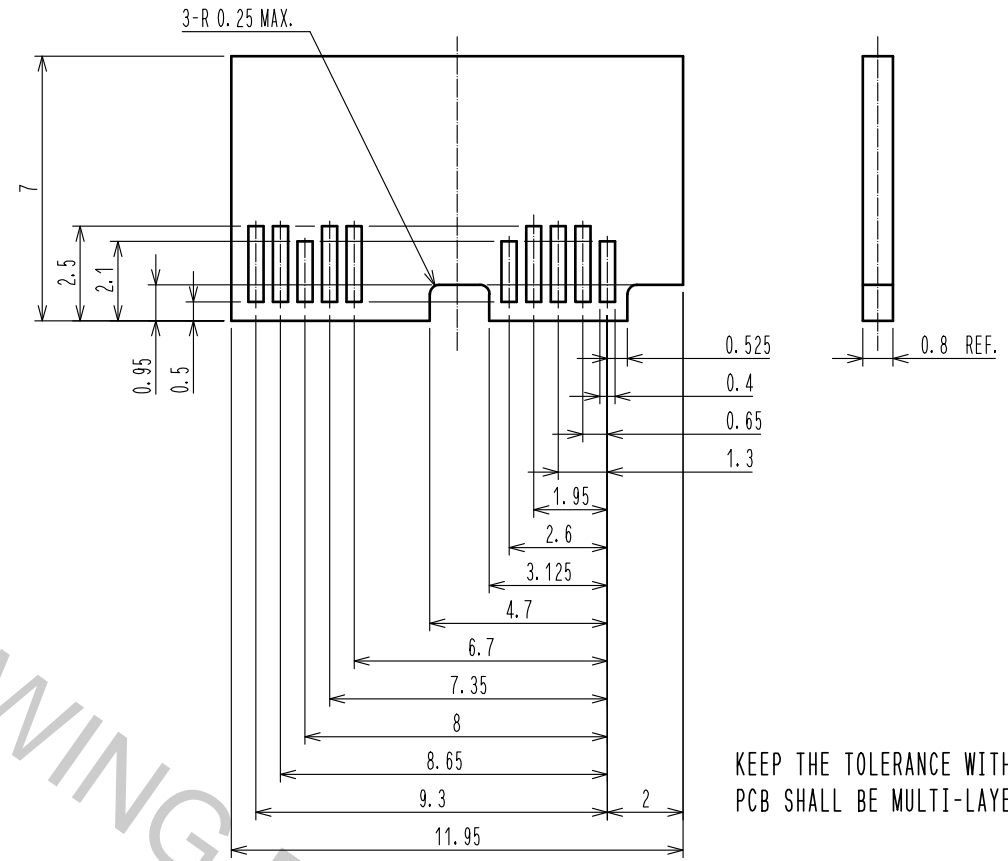
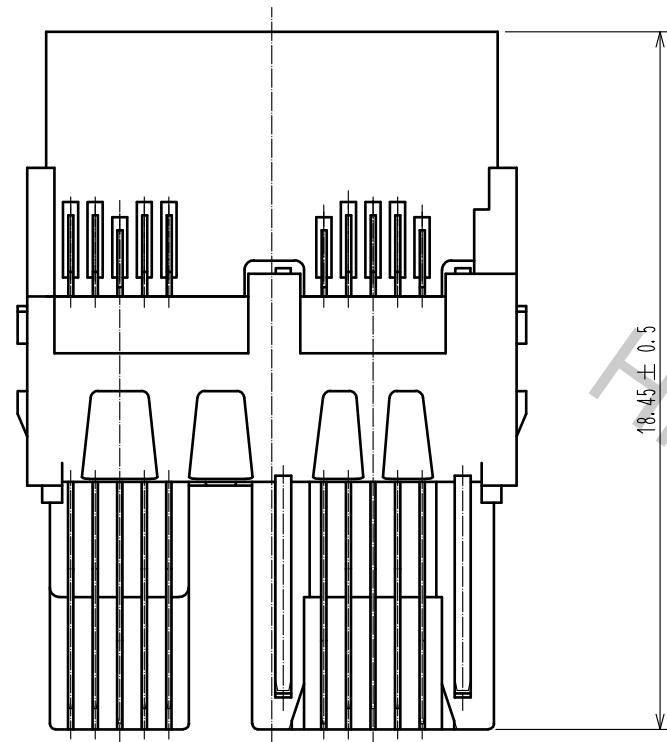
1. PLACE THE CONNECTOR UNIT INTO THE TRAY.  
(100 pcs per tray)



2	COPPER ALLOY	CONTACT AREA:GOLD PLATING 0.75μm min MOUNTING AREA:TIN PLATING 1μm min UNDER PLATING:NICKEL PLATING 2μm min	3	STAINLESS STEEL			
1	LCP	UL94V-0 , BLACK					
NO.	MATERIAL	FINISH . REMARKS	NO.	MATERIAL	FINISH . REMARKS		
UNITS		SCALE	COUNT	DESCRIPTION OF REVISIONS	DESIGNED	CHECKED	DATE
mm		5 : 1					
<b>HRS</b> HIROSE ELECTRIC CO., LTD.		APPROVED : NM. NISHIMATSU 15.10.27	DRAWING NO. EDC-127029-30-00				
		CHECKED : KN. ICHIKAWA 15.10.27	PART NO. ZX360-B-10S-UNIT(30)				
		DESIGNED : TS. ITO 15.10.27	CODE NO. CL242-0501-4-30				
		DRAWN : AK. AKIYAMA 15.10.27					

Fig-2. CONNECTOR MOUNTED ON PCB

PCB LAYOUT FOR REFERENCE



<b>HRS</b>	DRAWING NO.	EDC-127029-30-00
	PART NO.	ZX360-B-10S-UNIT(30)
	CODE NO.	CL242-0501-4-30
		2/3

Apr.1.2017 Copyright 2017 HIROSE ELECTRIC CO., LTD. All Rights Reserved.

Fig-3 SHIELDING-PLATE ASSEMBLY

OVER-MOLDING (REFERENCE) (FREE)

ZX360-B-SLDA(SOLD SEPARATELY)

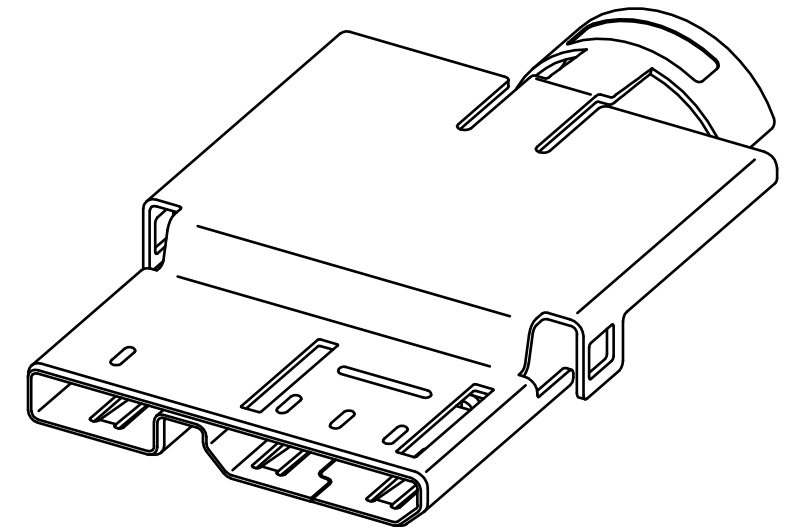
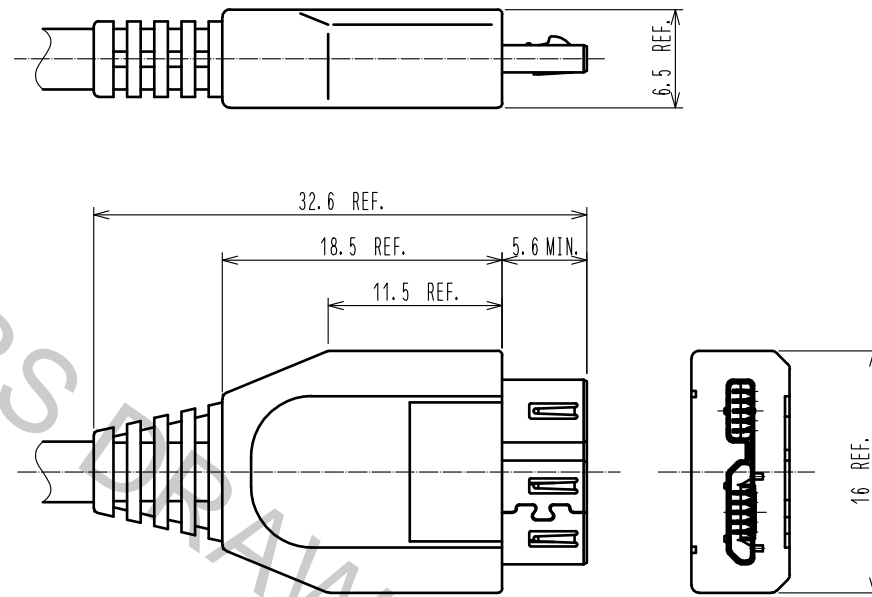
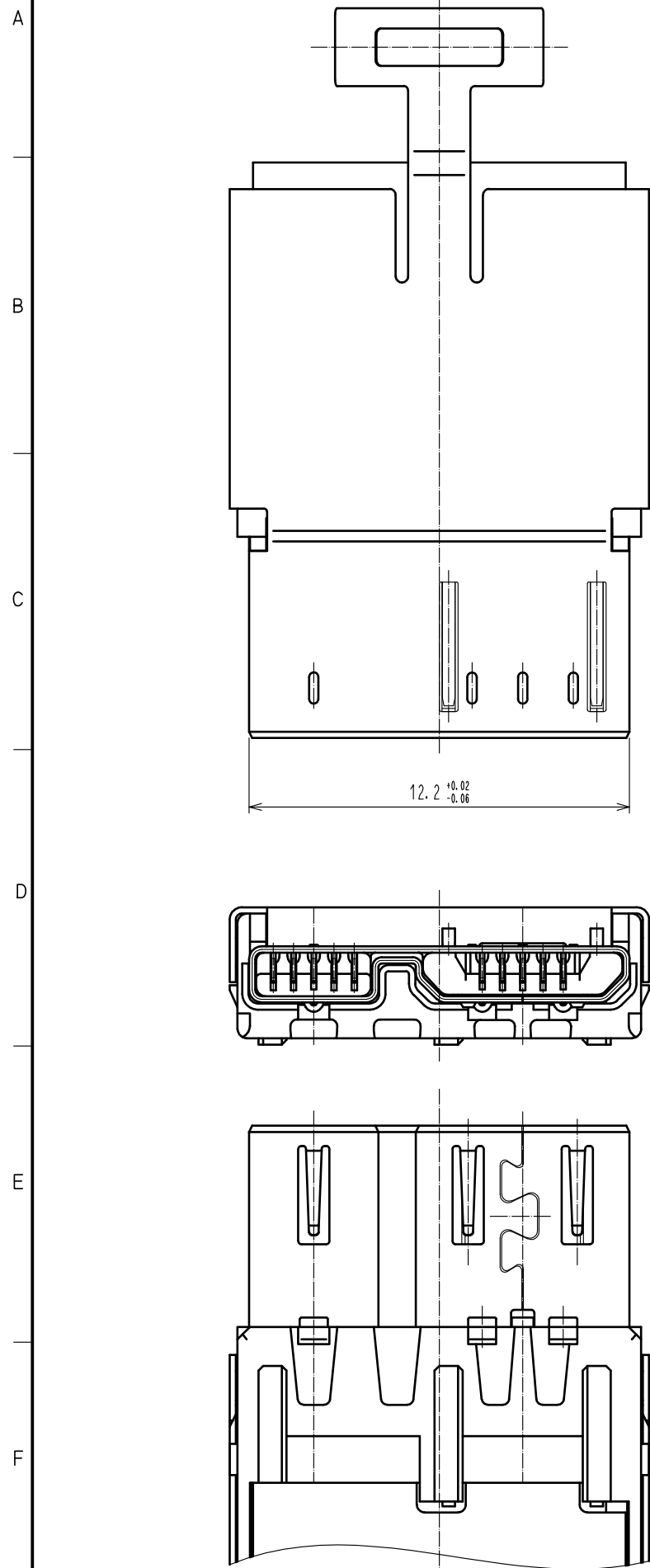
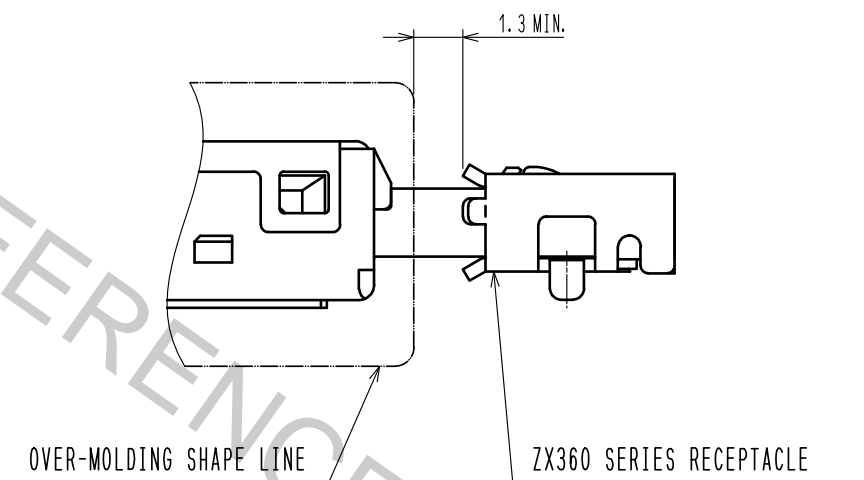
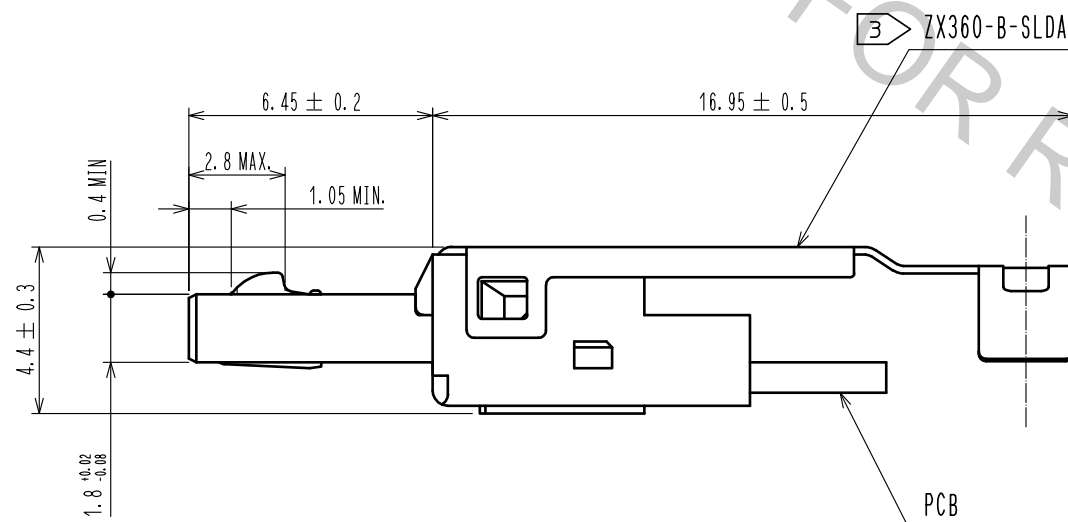


Fig-4 MATED WITH CORRESPONDING PLUG



<b>HRS</b>	DRAWING NO.	EDC-127029-30-00
	PART NO.	ZX360-B-10S-UNIT(30)
	CODE NO.	CL242-0501-4-30
		3/3